

LED CONVERTERS FOR LED MODULES 24 V



Electronic Converters for LED Modules 24 V

If LED modules are used that are connected in parallel, this system is activated. The advantages include easy extendibility and system safety on account of SELV (Safety Extra Low Voltage) or low voltage.

The electronic converters made by Vossloh-Schwabe guarantee a broad output range at a voltage of 24 V. Typical areas of application are architectural and general lighting, the replacement of halogen lamps as well as furniture lighting.

Devices with the particularly high IP67 degree of protection are designed for use in outdoor applications.



ComfortLine LED Constant-voltage Drivers

24 V / max. 20 W

These flat LED constant-voltage drivers are designed for use in applications with low capacity range of up to 20 W.

Electronic characteristics

Power factor at full load: > 0.5 C

Connection details

Mains voltage: 220–240 V ±10 %
Mains frequency: 50–60 Hz
Push-in terminals: 0.5–2.5 mm²

Safety features

Electronic short-circuit protection
Overload protection: reversible
Primary overvoltage protection up to 2 kV
Protection against "no load" operation
Degree of protection: IP20

Protection class II

SELV

Product guarantee: 5 years



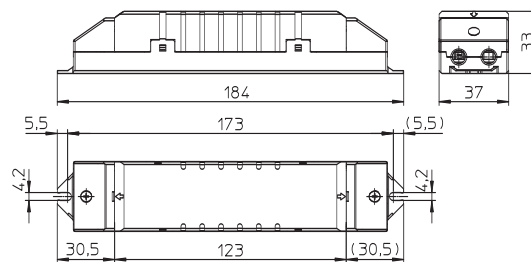
Expected service life time

at operation temperatures at t_c point

	Ref. No. 186640	
t_c temperature	75 °C	65 °C
hrs.	50,000	100,000



K39.2



Max. output W	Type	Ref. No.	Mains voltage 50, 60 Hz V	Output voltage V	Mains current mA	Current output A	Efficiency at full load % (230 V)	Ambient temperature t_a °C	Casing temperature t_c °C	Weight g
---------------	------	----------	---------------------------	------------------	------------------	------------------	-----------------------------------	------------------------------	-----------------------------	----------

K39.2 – Dimensions: 184x37x33 mm

20	EDXe 120/24.044	186640	220–240	24 ± 4%	230–210	0–0.85	> 85	–25 to 50	75	115
----	-----------------	---------------	---------	---------	---------	--------	------	-----------	----	-----

The values contained in this data sheet can change due to technical innovations. Any such changes will be made without separate notification.

ComfortLine LED Constant-voltage Drivers

24 V / max. 20 W

These flat LED constant-voltage drivers are designed for use in applications with low capacity range of up to 20 W.

Electronic characteristics

Power factor at full load: > 0.5 C

Connection details

Mains voltage: 220–240 V ±10 %

Mains frequency: 50–60 Hz

With connection lead on primary side, lead length: 1400 mm

Secondary side screw terminals: 0.5–1.5 mm²

Safety features

Electronic short-circuit protection

Overload and temperature protection: reversible

Protection against "no load" operation

Degree of protection: IP20

Protection class II

SELV

Product guarantee: 5 years

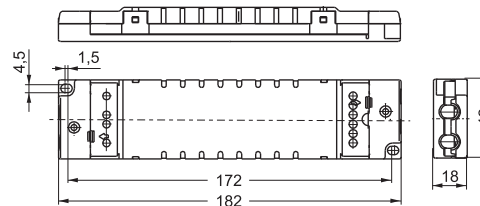


Expected service life time

at operation temperatures at t_c point

	Ref. No. 186129	
t_c temperature	75 °C	65 °C
hrs.	50,000	100,000

K62 with cord grip



Max. output W	Type	Ref. No.	Mains voltage V	Mains frequency 50, 60 Hz	Output voltage V	Mains current mA	Current output A	Efficiency at full load % (230 V)	Ambient temperature t_a °C	Casing temperature t_c °C	Weight g
K62 with cord grip – Dimensions: 182x42x18 mm											
20	EDXe 120/24.009	186129	220–240		24 ±0.5	230–210	0–0.85	83	–20 to 45	75	155

The values contained in this data sheet can change due to technical innovations. Any such changes will be made without separate notification.

EasyLine LED Constant-voltage Drivers

24 V / max. 30 W

These compact LED constant-voltage drivers are designed for use in applications with low capacity range of up to 30 W.

Electronic characteristics

Power factor at full load: > 0.9 C

Connection details

Mains voltage: 220–240 V ±10 %

Mains frequency: 50–60 Hz

Screw terminals: 0.5–1.5 mm²

Safety features

Electronic short-circuit protection

Overload protection: reversible

Protection against "no load" operation

Degree of protection: IP20

Protection class II

SELV

Product guarantee: 3 years

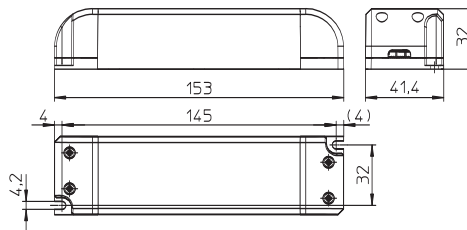


Expected service life time

at operation temperatures at t_c point

	Ref. No. 186624	
t_c temperature	80 °C	70 °C
hrs.	30,000	50,000

K53



Max. output W	Type	Ref. No.	Mains voltage 50, 60 Hz V	Output voltage V	Mains current mA	Current output A	Efficiency at full load % (230 V)	Ambient temperature t_a °C	Casing temperature t_c °C	Weight g
---------------	------	----------	---------------------------	------------------	------------------	------------------	-----------------------------------	------------------------------	-----------------------------	----------

K53 – Dimensions: 153x41x32 mm

30	EDXe 130/24.057	186624	220–240	24 ±1.2	160–140	0–1.25	85	–15 to 45	80	125
----	-----------------	---------------	---------	---------	---------	--------	----	-----------	----	-----

The values contained in this data sheet can change due to technical innovations. Any such changes will be made without separate notification.

ComfortLine LED Constant-voltage Drivers

24 V / max. 50 W, max. 70 W and max. 130 W

These LED constant-voltage drivers are designed for use in applications with medium and high capacity range of up to 50 W, 70 W or 130 W.

Electronic characteristics

Power factor at full load: > 0.97

Connection details

Mains voltage: 220–240 V ±10%

Mains frequency: 50–60 Hz

DC operation: 176–264 V DC, 0 Hz
(only EDXe 150)

Push-in terminals: 0.5–2.5 mm²

Safety features

Electronic short-circuit protection

Overload and temperature protection: reversible

Protection against "no load" operation

Degree of protection: IP20

Protection class I

SELV

Product guarantee: 5 years

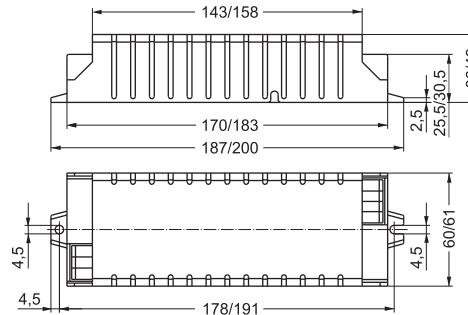


Expected service life time

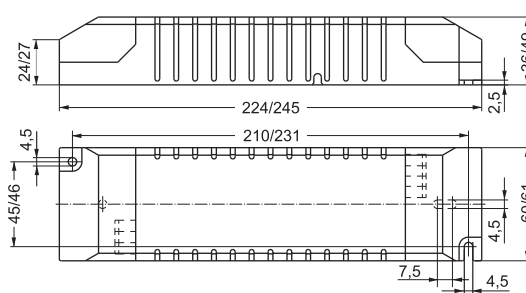
at operation temperatures at t_c point

	Ref. No.			
	186103, 186104, 186218, 186219		186131, 186132	
t_c temperature	70 °C	60 °C	75 °C	65 °C
hrs.	50,000	100,000	50,000	100,000

K30 / K30.1



K30 / K30.1 with cord grip



Max. output W	Type	Ref. No.	Mains voltage 0 Hz 50–60 Hz V ±10%	Output voltage V	Mains current mA	Current output A	Efficiency at full load % (230 V)	Ambient temperature t_a °C	Casing temperature t_c °C	Weight g
K30 – Dimensions: 187x60x36 mm										
50	EDXe 150/24.035	186218	176–264 220–240	24 ±0.72	325–218 260–240	0–2.1	87	–40 to 45	70	320
K30.1 – Dimensions: 200x61x49 mm										
70	EDXe 170/24.010	186103	220–240	24 ±0.48	360–310	0–2.9	90	–20 to 45	70	340
130	EDXe 1130/24.014	186131	220–240	24 ±0.48	640–585	0–5.4	92	–20 to 45	75	370
K30 with cord grip – Dimensions: 224x60x36 mm										
50	EDXe 150/24.035	186219	176–264 220–240	24 ±0.72	325–218 260–240	0–2.1	87	–40 to 45	70	370
K30.1 with cord grip – Dimensions: 245x61x49 mm										
70	EDXe 170/24.010	186104	220–240	24 ±0.48	360–310	0–2.9	90	–20 to 45	70	360
130	EDXe 1130/24.015	186132	220–240	24 ±0.48	640–585	0–5.4	92	–20 to 45	75	390

The values contained in this data sheet can change due to technical innovations. Any such changes will be made without separate notification.

EasyLine LED Constant-voltage Drivers

24 V / max. 60 W, 75 W and 120 W

These compact LED constant-voltage drivers are designed for use in applications with medium and high capacity range of up to 60 W, 75 W and 120 W.

Electronic characteristics

Power factor at full load: > 0.9 C

Connection details

Mains voltage: 220–240 V ±10 %

Mains frequency: 50–60 Hz

Screw terminals: 0.5–1.5 mm²

Safety features

Electronic short-circuit protection

Overload protection: reversible

Protection against "no load" operation

Degree of protection: IP20

Protection class II

SELV

Product guarantee: 3 years

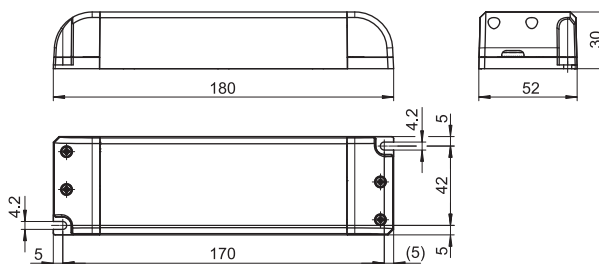


Expected service life time

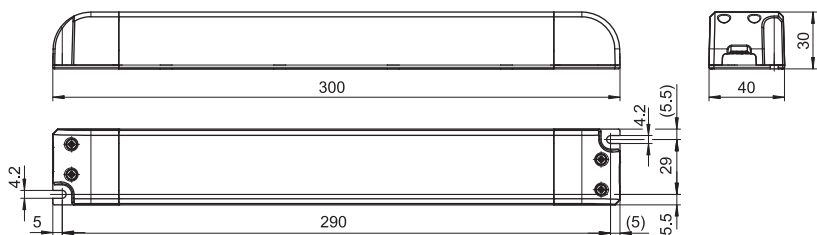
at operation temperatures at t_c point

	Ref. No.		186626, 186627	
t_c temperature	85 °C	75 °C	90 °C	80 °C
hrs.	30,000	50,000	30,000	50,000

K55.1



K60



Max. output W	Type	Ref. No.	Mains voltage V	Mains frequency 50, 60 Hz	Output voltage V	Mains current mA	Current output A	Efficiency at full load % (230 V)	Ambient temperature t_a °C	Casing temperature t_c °C	Weight g
K55.1 – Dimensions: 180x52x30 mm											
60	EDXe 160/24.058	186625	220–240		24 ±1.2	320–280	0–2.50	87	–15 to 45	85	370
75	EDXe 175/24.059	186626	220–240		24 ±0.72	385–345	0–3.125	88	–15 to 45	90	370
K60 – Dimensions: 300x40x30 mm											
120	EDXe 1120/24.060	186627	220–240		24 ±1.2	700–540	0–5	88	–20 to 45	90	425

The values contained in this data sheet can change due to technical innovations. Any such changes will be made without separate notification.

EasyLine LED Constant-voltage Drivers

24 V / max. 30 W – IP67

These LED constant-voltage drivers are designed for use in applications with low capacity range of up to 30 W.

Electronic characteristics

Power factor at full load: > 0.9 C

Connection details

Mains voltage: 220–240 V ±10 %

Mains frequency: 50–60 Hz

Pre-assembled connection leads

primary side: H05RN-F 2x1 mm²,
length: 335 mm

secondary side: AWG18, length: 335 mm

Safety features

Electronic short-circuit protection

Overload protection: reversible

Protection against "no load" operation

Degree of protection: IP67

Protection class II

SELV

Product guarantee: 3 years

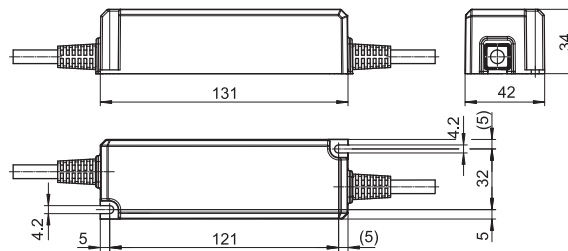


Expected service life time

at operation temperatures at t_c point

	Ref. No. 186633	
t_c temperature	80 °C	70 °C
hrs.	30,000	50,000

K52.1



Max. output W	Type	Ref. No.	Mains voltage 50, 60 Hz V	Output voltage V	Mains current mA	Current output A	Efficiency at full load % (230 V)	Ambient temperature t_a °C	Casing temperature t_c °C	Weight g
K52.1 – Dimensions: 131x42x34 mm										
30	EDXe 130/24.066	186633	220–240	24 ±1.2	160–140	0–1.25	88	–15 to 45	80	340

The values contained in this data sheet can change due to technical innovations. Any such changes will be made without separate notification.

ComfortLine LED Constant-voltage Drivers

**24 V / max. 70 W and
max. 130 W – IP67**

These LED constant-voltage drivers are designed for use in IP67 applications with medium and high capacity range of up to 70 W or 130 W.

Electronic characteristics

Power factor at full load: > 0.97

Connection details

Mains voltage: 220–240 V ±10 %

Mains frequency: 50–60 Hz

Pre-assembled connection leads

primary side: 5x1 mm², length: 200 mm

secondary side: 2x1 mm², length: 200 mm

Safety features

Electronic short-circuit protection

Overload and temperature protection: reversible

Protection against "no load" operation

Degree of protection: IP67

Protection class I

SELV

Product guarantee: 5 years

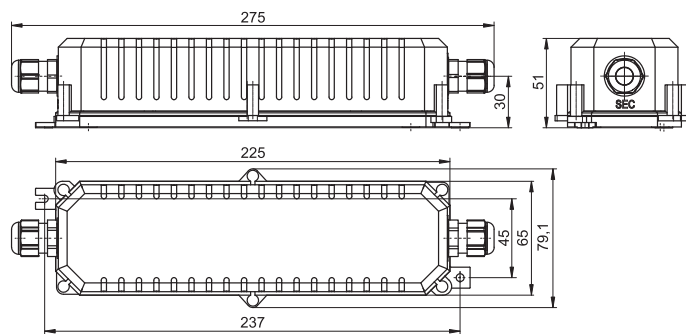


Expected service life time

at operation temperatures at t_c point

	Ref. No.	
	186105, 186133	
t_c temperature	70 °C	60 °C
hrs.	50,000	100,000

K37 with cord grip



Max. output W	Type	Ref. No.	Mains voltage 50, 60 Hz V	Output voltage V	Mains current mA	Current output A	Efficiency at full load % (230 V)	Ambient temperature t_a °C	Casing temperature t_c °C	Weight g
K37 with cord grip – Dimensions: 275x79.1x51 mm										
70	EDXe 170/24.010	186105	220–240	24 ±0.48	360–330	0–2.9	88	–20 to 45	70	515
130	EDXe 1130/24.016	186133	220–240	24 ±0.48	640–585	0–5.4	92	–20 to 45	70	545

The values contained in this data sheet can change due to technical innovations. Any such changes will be made without separate notification.

EasyLine LED Constant-voltage Drivers

24 V / max. 75 W, max. 100 W and max. 150 W – IP67

These LED constant-voltage drivers are designed for use in IP67 applications with high capacity range of up to 75 W, 100 W or 150 W.

Electronic characteristics

Power factor at full load: > 0.95

Connection details

Mains voltage: 220–240 V ± 10%

Mains frequency: 50–60 Hz

Preassembled connection leads:

K30.2: H05RN-F

primary: 2x0.75 mm²

secondary: 2x1 mm²

lead lengths: 335 mm

M58.1:

primary: 2x2.08 mm²

secondary: 2x2.08 mm²

lead lengths: 335 mm

Safety features

Short-circuit protection: electronic

Overload protection

Protection against "no load" operation

Degree of protection: IP67

Protection class I

Protection class II (186432)

SELV

Product guarantee: 3 years

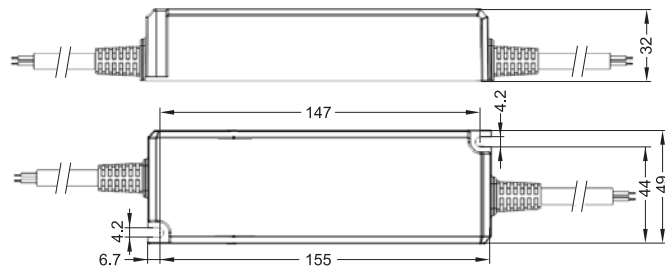


Expected service life time

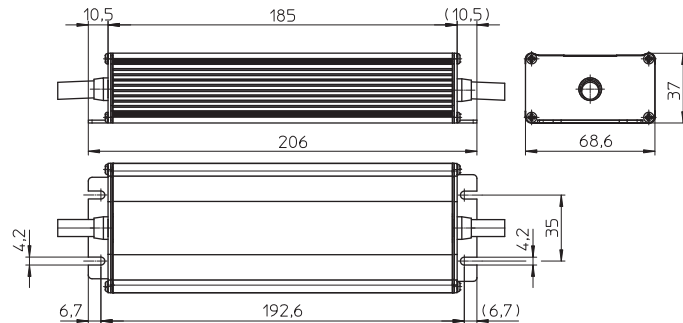
at operation temperatures at t_c point

	Ref. No. all types	
t_c temperature	80 °C	70 °C
hrs.	30,000	50,000

K30.2



M58.1



Max. output W	Type	Ref. No.	Mains voltage 50–60 Hz V ± 10%	Output voltage V	Mains current mA	Output current A	Efficiency at full load % (230 V)	Ambient temperature t_a (°C)	Casing temperature t_c (°C)	Weight g
K30.2 – Dimensions: 155x49x32 mm										
75	EDXe 175/24.040	186432	220–240	24 ± 0.5	385–355	0–3.125	89	–15 to 45	80	440
M58.1 – Dimensions: 206x68.6x37 mm										
100	EDXe 1100/24.041	186433	220–240	24 ± 0.5	505–465	0–4.2	90	–15 to 45	80	840
150	EDXe 1150/24.042	186434	220–240	24 ± 0.5	760–700	0–6.25	90	–15 to 45	80	840

The values contained in this data sheet can change due to technical innovations. Any such changes will be made without separate notification.

EasyLine LED Constant-voltage Drivers

24 V / max. 200 W – IP67

These LED constant-voltage drivers are designed for use in IP67 applications with high capacity range of up to 200 W.

Electronic characteristics

Power factor at full load: > 0.9 C

Connection details

Mains voltage: 220–240 V ±10 %

Mains frequency: 50–60 Hz

Pre-assembled connection leads

primary side: H05RN-F 3x1 mm²,
length: 335 mm

secondary side: AWG14, length: 335 mm

Safety features

Electronic short-circuit protection

Overload protection: reversible

Protection against "no load" operation

Degree of protection: IP67

Protection class I

SELV

Product guarantee: 3 years

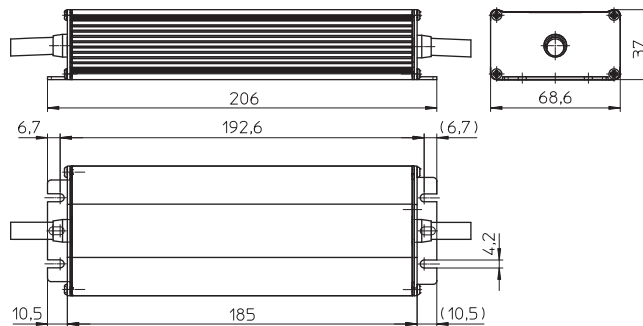


Expected service life time

at operation temperatures at t_c point

	Ref. No. 186634	
t_c temperature	85 °C	75 °C
hrs.	30,000	50,000

M58.1



Max. output W	Type	Ref. No.	Mains voltage 50–60 Hz V ±10%	Output voltage V	Mains current mA	Output current A	Efficiency at full load % (230 V)	Ambient temperature t_a (°C)	Casing temperature t_c (°C)	Weight g
M58.1 – Dimensions: 206x68.6x37 mm										
200	EDXe 1200/24.067	186634	220–240	24 ±0.72	1000–900	0–8.3	92	–15 to 60	85	840

The values contained in this data sheet can change due to technical innovations. Any such changes will be made without separate notification.