

NEXT 111 R

FOR DIRECT CONNECTION
TO MAINS VOLTAGE



CONVENIENT LED TECHNOLOGY

As a perfect replacement for Halogen and HID lamps, these light engines are the perfect replacement for AR111 lamps. The direct connection to mains voltage (220–240 V) offers a cost effective solution. They are ideal for applications like retail, halls and public buildings.

The profiled reflector with the same design of AR111 lamps is ideal to replace Halogen/HID with LED technology and keep existing luminaire's design.

The aluminium reflectors offer an homogeneous light distribution spot. Next 111 R offers the possibility to replace the reflector easily.

NEXT 111 R series

- Replacement for HID lamps and halogen lamps up to 150 W
- Interchangeable aluminium reflector for homogeneous light distribution

Typical applications

- Replacement of AR111 lamps
- Integration in luminaires
- Retail lighting
- Downlights
- Light advertising
- Entertainment



NEXT 111 R

Built-in LEDSpot equipped with an interchangeable aluminium reflector, heat sink and leads – Replacement for AR111

Technical notes

For direct connection to mains voltage

Mains voltage: 220–240 V, 50/60 Hz

Power factor: > 0.95

Reflector: Ø 111 mm (with flange), aluminium, bayonet fixing

Heat sink material: aluminium

Max operating temperature at t_p point: 85 °C

Lumen maintenance:

L70/B50; 50,000 hrs. at 70 °C

Temperature depends on installation situation and has to be checked by the luminaire manufacturer.

Colour accuracy initially: 3 SDCM

Plastic clear cover to protect reflector (opaque cover on request)

Fixation

reflector: front rim

heat sink: lateral fixation with M5 screws and nuts or rear side fixation with self-tapping screws ST2.9

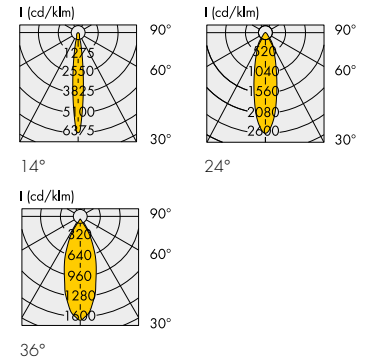
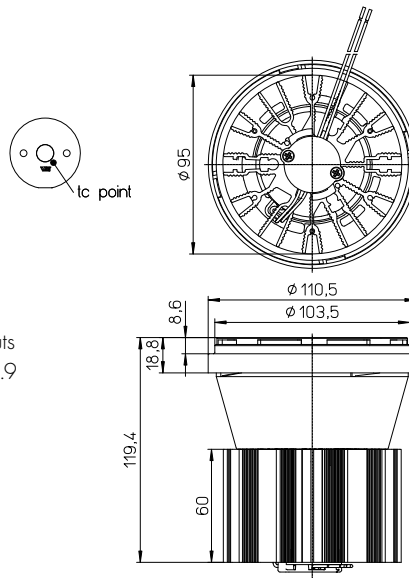
Leads: Cu tinned, stranded conductors 0.5 mm²,

FEP/FEP-insulation, length: 300 mm

With integrated cord grip

Weight: 430 g

Packaging unit: 6 pcs.



Type	Ref. No.		Mains voltage AC 50/60 Hz V	Colour	Correlated colour temperature K	Typ. luminous flux* lm	Light intensity at 230 V Candela	Beam angle °	CRI R _a	Power consumption at 230 V W	Energy efficiency at 230 V
	for black LEDSpots	white LEDSpots									
Next 111 R 20	561713	561719	220–240	warm white	3000	1440	8600	14	80	20	A
Next 111 R 20	561714	561720	220–240	neutral white	4000	1520	8790	14	80	20	A+
Next 111 R 20	561715	561721	220–240	warm white	3000	1440	3450	24	80	20	A
Next 111 R 20	561716	561722	220–240	neutral white	4000	1520	4100	24	80	20	A+
Next 111 R 20	561717	561723	220–240	warm white	3000	1455	2350	36	80	20	A
Next 111 R 20	561718	561724	220–240	neutral white	4000	1540	2480	36	80	20	A+

* Production tolerance of luminous flux: ±10%

The values contained in this data sheet can change due to technical innovations. Any such changes will be made without separate notification.

Reflectors and Holder for NEXT 111 R

Exchangeable aluminum reflectors and holder for the NEXT series

Technical notes

Reflectors made of aluminium with bayonet fixation

Surface: anodised

Weight: 27 g

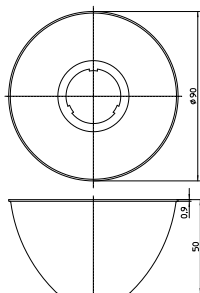
Packaging unit: 18 pcs.

Usage and maintenance

If necessary clean reflectors with mild soap, water and soft cloth.

Never use any commercial cleaning solvents on reflectors, like alcohol.

Please handle or install reflectors with wearing gloves, skin oils may damage reflector or its optical characteristic.



Ref. No.	Beam characteristic	Beam angle (°) NEXT 111 R 20
----------	---------------------	------------------------------------

Reflector D90 – H = 50

557359	narrow	14
557360	medium	24
557361	wide	36
563446	extra wide	48

It's possible to use all the reflectors on the same holder.

Holder for EVO reflectors

For COB Type EDC57C

Cover for LES: PC, transparent

Dimensions (ØxH): 60 x14.65 mm

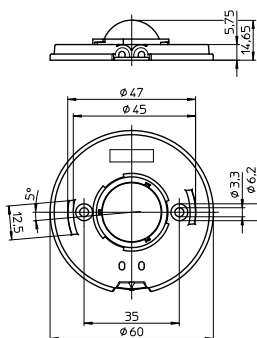
Packaging unit: 72 pcs

Material: PC, black, inner ring: metallized

Ref. No.: 561847

Material: PC, white

Ref. No.: 563095



The values contained in this data sheet can change due to technical innovations. Any such changes will be made without separate notification.

NEXT 111 R Installation Instruction

General Safety Information

- Built-in LED Spot for direct connection to mains voltage
- VS product may only be installed and commissioned by authorised and fully qualified staff.
- These instructions must be carefully read before installing and commissioning the system, as this is the only way to ensure safe and correct handling.
- Before any work is carried out on the equipment, it must be disconnected from the mains.
- All valid safety and accident-prevention regulations must be observed.
- The products should never be inexpertly opened as this poses lethal danger due to electrical shock. Repairs may only be undertaken by the manufacturer.
- NEXT 111 R is dimmable with common phase-cut dimmers; minimum dimmer load has to be respected.
- The compatibility of the spots with the dimmer has to be confirmed prior to installation
- If module is used in rooms with fast moving parts as the light modulation might cause stroboscopic effects.
- This LED module might interfere with displays and cameras due to modulation.
- The photo biological safety of the LED modules is classified into risk groups in accordance with EN 62471: 2008 and IEC TR 62778: risk group 1.

NEXT 111 R Tested Dimmers

NEXT 111 R is dimmable with common phase-cut dimmers; minimum dimming load has to be respected. The compatibility of the spots with the dimmer has to be confirmed prior to installation.

- Vossloh-Schwabe DimONE 186607
- Vossloh-Schwabe DimONE Bluetooth® 186608
- Vossloh-Schwabe Dimmer 250 W 554591
- Vossloh-Schwabe Dimmer 500 W 554592
- Jung 225TDE Insta 51040
- Gira 030700 = Insta
- Berker 2874
- Berker 286710 Insta 5190
- Busch Jäger 6513 U-102
- Busch Jäger 6519U
- Sygonix 33595A
- Merten MEG5136-0000
- LeGrand ADW-ETL4-420VA
- Hager WUD82 + WYA920
- Merten 577899 + 570419
- Gira 2262 Ansch.
- Jung 225 NVDE Ansch.
- Berker 85421200 leading edge Anf. 2013 / equiv. Hager Anf. 2013 both Touch
- Sygonix 33596V leading edge
- Sygonix 33594C leading edge
- Sygonix 33594R leading edge
- Merten MEG5170-0300 + 343519
- Eltako EUD61NPN univ.
- Eltako EUD61M-UC univ.
- Eltako EUD61NP univ.
- Hager EVN002 univ.
- Hager EVN004 univ.
- Berker 16701 univ.
- Jung UD1255REG univ.
- Busch Jäger 6583 univ.
- Eltako EUD12D univ. / Eltako EUD12F univ. / Eltako EUD12Z univ.
- Eltako EUD12Z univ.

The values contained in this data sheet can change due to technical innovations. Any such changes will be made without separate notification.