

Evolve Halo

Dim to warm

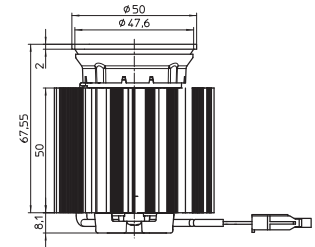
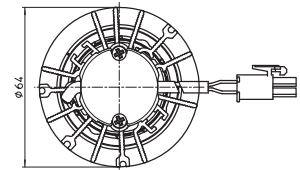
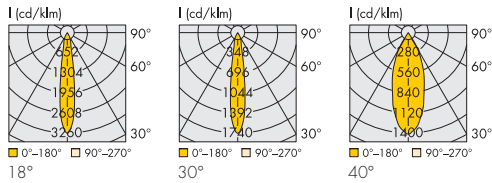
Technical notes

Lens: Ø 50 mm
 Heat sink material: aluminium
 Lumen maintenance: L90/B10; 50,000 hrs. 80 °C (350 mA)
 Max. operating temperature at t_p point: 100 °C at 350 mA
 Temperature depends on installation situation and has to be checked by the luminaire manufacturer.
 Colour accuracy initially: 3 SDCM
 Leads: Cu tinned, stranded conductors 0.5 mm², length: 200 mm, with plug
 With integrated cord grip
 Weight: 160 g
 Packaging unit: 28 pcs.

Electrical characteristics

Type	14 mA		350 mA	
	P _{el} [W]	V _f [V]	P _{el} [W]	V _f [V]
Evolve HALO	0.4	26.9	11.3	33.8

Voltage and power tolerance: ± 10%



Type	Ref. No.	Colour	Correlated colour temp. K	Typ. luminous flux and colour temperature at				Light intensity at max. current Candela	CRI R _a	Beam angle °	Energy efficiency at max. current
				14 mA		350 mA					
				lm	K	lm	K				
Evolve HALO – Warm white											
Evolve HALO	567187	warm white	3000 → 1800	25	1800	920	3000	3000	95	18	A+
Evolve HALO	567188	warm white	3000 → 1800	25	1800	920	3000	1600	95	30	A+
Evolve HALO	566832	warm white	3000 → 1800	25	1800	920	3000	1300	95	40	A+

Production tolerance of luminous flux: ± 10%

The values contained in this data sheet can change due to technical innovations. Any such changes will be made without separate notification.

LED Drivers

You will find more information about our LED drivers on our website: www.vossloh-schwabe.com

Capacity range W	Output current DC mA	Output voltage DC V	Ref. No.	Version	Current setting	Dimming	Max. service life time		Dimensions (LxWxH) mm	For type		
							hrs.	at t _c °C		7.2	9.2	S123/S124
250 mA												
4.25–10.0	250	17–40	186463	EasyLine	Terminals	–	50,000	65	103.6x67.4x31			x
5.0–10.0	250	20–40*	186710	EasyLine	–	Phase cutting	50,000	65*	115x45x25			x
5.0–10.0	250	20–40*	186708	EasyLine	–	–	50,000	65*	115x45x25			x
6.25–10.75	250	25–43	186650	ComfortLine	LEDSet	–	100,000	70	97x43x30			x
6.25–10.75	250	25–43	186664	ComfortLine	LEDSet	–	100,000	70	97x43x30			x
6.75–12.0	250	27–48	186449	EasyLine	–	Phase cutting	50,000	60	122.8x45x19			x
300 mA												
7.5–12.9	300	25–43	186650	ComfortLine	LEDSet	–	100,000	70	97x43x30			x
7.5–12.9	300	25–43	186664	ComfortLine	LEDSet	–	100,000	70	97x43x30			x
6.0–12.0	300	20–40*	186711	EasyLine	–	Phase cutting	50,000	65*	115x45x25			x
6.0–12.0	300	20–40*	186709	EasyLine	–	–	50,000	65*	115x45x25			x
350 mA												
6.3–19.95	350	18–57	186431	EasyLine	–	–	50,000	65	122.8x45x19			x
2.95–12.6	350	8.4–36	186341	EasyLine	–	–	50,000	65	122.8x45x19	x	x	x
5.95–14.0	350	17–40	186463	EasyLine	Terminals	–	50,000	65	103.6x67.4x31			x
8.75–15.05	350	25–43	186650	ComfortLine	LEDSet	–	100,000	70	97x43x30			x
8.75–15.05	350	25–43	186664	ComfortLine	LEDSet	–	100,000	70	97x43x30			x
10.5–15.05	350	30–43	186591	EasyLine	–	–	30,000	65	115x45x25			x
5.6–19.95	350	16–57	186431	EasyLine	–	–			122.8x45x19	x	x	x
5.25–16.1	350	15–46	186719	EasyLine	–	–	50,000	70	97.1x42x6x30.3	x	x	x
5.25–16.1	350	15–46	186720	EasyLine	–	–	50,000	70	146.5x43.7x30	x	x	x
4.9–11.9	350	14–34	186465	PrimeLine	LEDSet	DALI	100,000	65	103.6x67.4x31	x	x	
10.5–18.55	350	30–53	186503	PrimeLine	LEDSet	DALI	100,000	65	123.4x79x4x32.6			x
0.7–11.2	350	2–32	186679	ComfortLine	–	–	50,000	70	128x37x28	x	x	
1.05–8.75	350	3–25	186519	ComfortLine	–	–	50,000	80	65x30.7x21.5	x	x	
11.5–18.2	350	32–52	186415	EasyLine	–	Phase cutting	50,000	70	153x41.4x32			x
7.0–19.95	350	20–57	186581	ComfortLine	Terminals	1–10 V	50,000	80	103.6x67.4x31			x
400 mA												
10.0–17.2	400	25–43	186650	ComfortLine	LEDSet	–	100,000	70	97x43x30			on request
10.0–17.2	400	25–43	186664	ComfortLine	LEDSet	–	100,000	70	97x43x30			on request
10.0–17.2	400	25–43	186651	ComfortLine	LEDSet	–	100,000	70	97x43x30			on request
500 mA												
4.0–15.0	500	8–30	186349	EasyLine	–	–	50,000	65	122.8x45x19		x	
2.0–12.0	500	4–24	186508	EasyLine	–	–	50,000	60	122.8x45x19		x	
7.5–23.0	500	15–46	186721	EasyLine	–	–	50,000	70	97.1x42x6x30.3		x	
7.5–23.0	500	15–46	186722	EasyLine	–	–	50,000	70	146.5x43.7x30		x	
7.0–17.0	500	14–34	186573	PrimeLine	Programmable	DALI	100,000	65	103.6x67.4x31		x	
1.0–16.0	500	2–32	186680	ComfortLine	–	–	50,000	70	128x37x28		x	
6.5–10	500	13–20	186448	EasyLine	–	Phase cutting	50,000	60	122.8x45x19		x	

Please ensure you choose the correct LED driver for the module in question and that the respective output parameters (current, voltage, wattage) are correct.

* preliminary

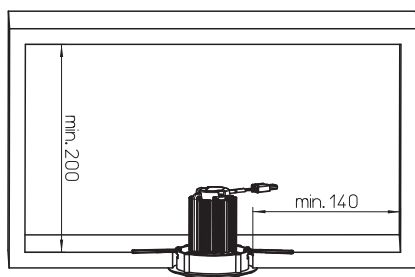
The values contained in this data sheet can change due to technical innovations. Any such changes will be made without separate notification.

LEDSpot Evolve – Installation Instruction

General safety information

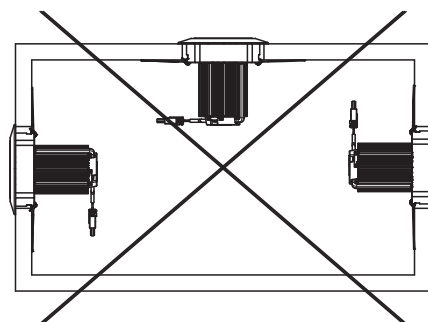
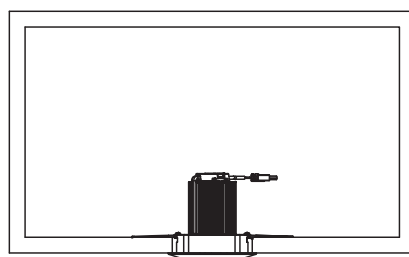
- VS product may only be installed and commissioned by authorised and fully qualified staff.
- These instructions must be carefully read before installing and commissioning the system, as this is the only way to ensure safe and correct handling.
- An external constant-current driver is required.
- Before any work is carried out on the equipment, it must be disconnected from the mains.
- All valid safety and accident-prevention regulations must be observed.
- The products should never be inexpertly opened. Repairs may only be undertaken by the manufacturer.

Built-in



Correct position

OK



Product Guarantee

- 5 years
- The conditions for the Product Guarantee of the Vossloh-Schwabe Group shall apply as published on our homepage (www.vossloh-schwabe.com). We will be happy to send you these conditions upon request.

The values contained in this data sheet can change due to technical innovations. Any such changes will be made without separate notification.