









## NEXT 111

**Built-in LEDSpot equipped with an interchangeable aluminium reflector, heat sink and leads**

Type	Ref. No.		Colour	Correlated colour temperature K	Typ. luminous flux and typical voltage (U <sub>typ.</sub> ) and power consumption (P <sub>el</sub> )*				Light intensity at max. current Candela	Beam angle °	CRI R <sub>a</sub>	Energy efficiency at max. current
	for black LEDSpots	white LEDSpots			350 mA		500 mA					
					lm	lm/W	lm	lm/W				
<b>Type S126</b>					P <sub>el</sub> = 11.8 W		P <sub>el</sub> = 17.3 W					
<b>Heat sink height = 20 mm</b>					V <sub>f</sub> = 33.6 V		V <sub>f</sub> = 34.6 V					
Next 111 S126H	<b>567592</b>	<b>567601</b>	warm white	3000	1665	140	2305	132	14770	14°	85	A++
Next 111 S126H	<b>567596</b>	<b>567605</b>	neutral white	4000	1720	145	2380	136	15250	14°	85	A++
Next 111 S126H	<b>567593</b>	<b>567602</b>	warm white	3000	1665	140	2305	132	6890	24°	85	A++
Next 111 S126H	<b>567597</b>	<b>567606</b>	neutral white	4000	1720	145	2380	136	7100	24°	85	A++
Next 111 S126H	<b>567594</b>	<b>567603</b>	warm white	3000	1685	142	2330	133	3600	34°	85	A++
Next 111 S126H	<b>567599</b>	<b>567607</b>	neutral white	4000	1740	146	2410	138	3730	34°	85	A++
Next 111 S126H	<b>567595</b>	<b>567604</b>	warm white	3000	1650	139	2275	130	2320	50°	85	A++
Next 111 S126H	<b>567600</b>	<b>567608</b>	neutral white	4000	1700	143	2355	135	2400	50°	85	A++

Versions with other colour temperature, CRI 95 or pearl white on request  
 \* Production tolerance of luminous flux, voltage and power consumption: ±10%

Type	Ref. No.		Colour	Correlated colour temperature K	Typ. luminous flux and typical voltage (U <sub>typ.</sub> ) and power consumption (P <sub>el</sub> )*						Light intensity at max. current Candela	Beam angle °	CRI R <sub>a</sub>	Energy efficiency at max. current
	for black LEDSpots	white LEDSpots			600 mA		700 mA		800 mA					
					lm	lm/W	lm	lm/W	lm	lm/W				
<b>Type S120</b>					P <sub>el</sub> = 20.2 W		P <sub>el</sub> = 23.8 W		P <sub>el</sub> = 27.5 W					
<b>Heat sink height = 40 mm</b>					V <sub>f</sub> = 33.7 V		V <sub>f</sub> = 34.0 V		V <sub>f</sub> = 34.4 V					
Next 111 S120H	<b>567613</b>	<b>567621</b>	warm white	3000	2895	142	3325	139	3750	135	18960	16°	85	A++
Next 111 S120H	<b>567617</b>	<b>567625</b>	neutral white	4000	2990	147	3440	143	3875	140	19500	16°	85	A++
Next 111 S120H	<b>567614</b>	<b>567622</b>	warm white	3000	2895	142	3325	139	3750	135	10220	25°	85	A++
Next 111 S120H	<b>567618</b>	<b>567626</b>	neutral white	4000	2990	147	3440	143	3875	140	10570	25°	85	A++
Next 111 S120H	<b>567615</b>	<b>567623</b>	warm white	3000	2925	143	3365	140	3790	137	5700	38°	85	A++
Next 111 S120H	<b>567619</b>	<b>567627</b>	neutral white	4000	3020	148	3480	145	3920	142	5900	38°	85	A++
Next 111 S120H	<b>567616</b>	<b>567624</b>	warm white	3000	2860	140	3290	137	3705	134	3900	50°	85	A++
Next 111 S120H	<b>567620</b>	<b>567628</b>	neutral white	4000	2950	145	3400	142	3830	138	4050	50°	85	A++

Versions with other colour temperature, CRI 95 or pearl white on request  
 \* Production tolerance of luminous flux, voltage and power consumption: ±10%

The values contained in this data sheet can change due to technical innovations. Any such changes will be made without separate notification.

## LED Drivers

You will find more information about our LED drivers on our website: [www.vossloh-schwabe.com](http://www.vossloh-schwabe.com)

Capacity range W	Output current DC mA	Output voltage DC V	Ref. No.	Version	Current setting	Dimming	Max. service life time		Dimensions (LxWxH) mm	For type	
							hrs.	at $t_c$ °C		DMS 126H	DMS 120H
<b>350 mA</b>											
10.5–15	350	30–43	<b>186591</b>	EasyLine	—	—	30,000	75	115x45x25	x	x
8.75–15	350	25–43	<b>186650</b>	ComfortLine	LEDSet	—	100,000	70	97x43x30	x	x
8.75–15	350	25–43	<b>186664</b>	ComfortLine	LEDSet	—	100,000	70	97x43x30	x	x
10.5–18.5	350	30–53	<b>186503</b>	PrimeLine	Programmable	DALI	100,000	65	123.4x79x4x32.6	x	x
11.2–18	350	32–52	<b>186415</b>	EasyLine	—	Phase cutting	30,000	80	153x41.4x32	x	x
6.3–19.95	350	18–57	<b>186431</b>	EasyLine	—	—	50,000	65	122x45x19	x	x
5.95–14	350	17–40	<b>186463</b>	EasyLine	Terminals	—	50,000	65	103.6x67.4x31	x	x
5.25–16.1	350	15–46	<b>186719</b>	EasyLine	—	—	50,000	70	97.1x42x6x30.3	x	x
5.25–16.1	350	15–46	<b>186720</b>	EasyLine	—	—	50,000	70	146.5x43x7x30	x	x
<b>500 mA</b>											
15–21.5	500	30–43	<b>186592</b>	EasyLine	—	—	50,000	65	115x45x25	x	x
12.5–21.5	500	25–43	<b>186650</b>	ComfortLine	LEDSet	—	100,000	70	97x43x30	x	x
12.5–21.5	350	25–43	<b>186664</b>	ComfortLine	LEDSet	—	100,000	70	97x43x30	x	x
12.5–21.5	500	25–43	<b>186651</b>	ComfortLine	Terminals	—	100,000	70	97x43x30	x	x
8.75–15	500	25–43	<b>186671</b>	ComfortLine	Terminals	—	100,000	70	97x43x30	x	x
15–26.5	500	30–53	<b>186571</b>	PrimeLine	Programmable	DALI	100,000	65	123.4x79x4x32.6	x	x
12.5–28.5	500	25–57	<b>186531</b>	EasyLine	Terminals	—	50,000	65	103.6x67.4x31	x	x
12.5–25	500	25–50	<b>186363</b>	EasyLine	—	—	50,000	60	123.4x79x4x32.6	x	x
14–21	500	28–42	<b>186505</b>	EasyLine	—	Phase cutting	50,000	65	153x41.4x32	x	x
8.5–20	500	17–40	<b>186463</b>	EasyLine	Terminals	—	50,000	65	103.6x67.4x31	x	x
7.5–23	500	15–46	<b>186721</b>	EasyLine	—	—	50,000	75	97.1x42x6x30.3	x	x
7.5–23	500	15–46	<b>186722</b>	EasyLine	—	—	50,000	70	146.5x43x7x30	x	x
<b>600 mA</b>											
15–25.8	600	25–43	<b>186650</b>	ComfortLine	LEDSet	—	100,000	70	97x43x30	—	x
15–25.8	600	25–43	<b>186664</b>	ComfortLine	LEDSet	—	100,000	70	97x43x30	—	x
15–25.8	600	25–43	<b>186652</b>	ComfortLine	Terminals	—	100,000	70	97x43x30	—	x
18–31.8	600	30–53	<b>186503</b>	PrimeLine	Programmable	DALI	100,000	65	123.4x79x4x32.6	—	x
15–34.2	600	25–57	<b>186531</b>	EasyLine	Terminals	—	50,000	65	103.6x67.4x31	—	x
15–25.8	600	25–43	<b>186671</b>	ComfortLine	Terminals	—	100,000	70	97x43x30	—	x
<b>700 mA</b>											
21–30.1	700	30–43	<b>186593</b>	EasyLine	—	—	30,000	80	103x67x30	—	x
17.5–30.1	700	25–43	<b>186650</b>	ComfortLine	LEDSet	—	100,000	70	97x43x30	—	x
17.5–30.1	700	25–43	<b>186664</b>	ComfortLine	LEDSet	—	100,000	70	97x43x30	—	x
17.5–30.1	700	25–43	<b>186652</b>	ComfortLine	Terminals	—	100,000	70	97x43x30	—	x
17.5–30.1	700	25–43	<b>186670</b>	ComfortLine	Terminals	—	100,000	70	97x43x30	—	x
21–37.1	700	30–53	<b>186572</b>	PrimeLine	Programmable	DALI	100,000	65	123.4x79x4x32.6	—	x
17.5–39.9	700	25–57	<b>186531</b>	EasyLine	Terminals	—	50,000	65	103.6x67.4x31	—	x
21–37.1	700	30–53	<b>186308</b>	ComfortLine	—	DALI	100,000	65	123.4x79x4x32.6	—	x
21–37.1	700	30–53	<b>186556</b>	ComfortLine	—	—	100,000	65	159.4x79.4x33	—	x
21–37.1	700	30–53	<b>186306</b>	ComfortLine	—	—	100,000	65	123.4x79x4x32.6	—	x
14–35	700	20–50	<b>186364</b>	EasyLine	—	—	50,000	60	123.4x79x4x32.6	—	x
21–31.5	700	30–45	<b>186501</b>	EasyLine	—	—	50,000	65	171x41x32	—	x
10.5–31.5	700	15–45	<b>186723</b>	EasyLine	—	—	50,000	65	97.1x42x6x30.3	—	x
10.5–31.5	700	15–45	<b>186724</b>	EasyLine	—	—	50,000	65	146.5x43x7x30	—	x
<b>800 mA</b>											
20–34.4	800	25–43	<b>186650</b>	ComfortLine	LEDSet	—	100,000	70	97x43x30	—	x
20–34.4	800	25–43	<b>186664</b>	ComfortLine	LEDSet	—	100,000	70	97x43x30	—	x
20–34.4	800	25–43	<b>186653</b>	ComfortLine	Terminals	—	100,000	70	97x43x30	—	x
20–34.4	800	25–43	<b>186532</b>	EasyLine	Terminals	—	50,000	65	103.6x67.4x31	—	x
20–34.4	700	25–43	<b>186670</b>	ComfortLine	Terminals	—	100,000	70	97x43x30	—	x

Please ensure you choose the correct LED driver for the module in question and that the respective output parameters (current, voltage, wattage) are correct.

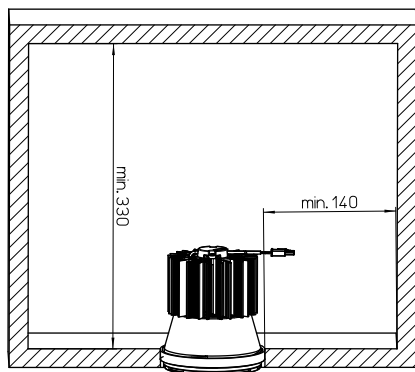
The values contained in this data sheet can change due to technical innovations. Any such changes will be made without separate notification.

## LEDSpot Evolve 111 / NEXT 111 – Installation Instruction

### General safety information

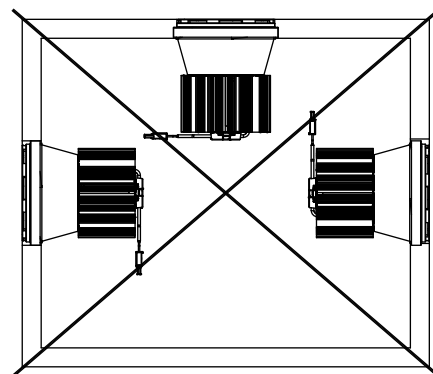
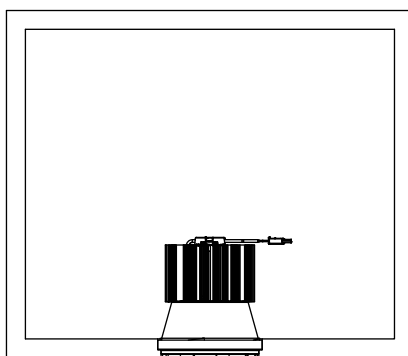
- VS product may only be installed and commissioned by authorised and fully qualified staff.
- These instructions must be carefully read before installing and commissioning the system, as this is the only way to ensure safe and correct handling.
- An external constant-current driver is required.
- Before any work is carried out on the equipment, it must be disconnected from the mains.
- All valid safety and accident-prevention regulations must be observed.
- The products should never be inexpertly opened. Repairs may only be undertaken by the manufacturer.

### Built-in



### Correct position

OK



### Product Guarantee

- 5 years
- The conditions for the Product Guarantee of the Vossloh-Schwabe Group shall apply as published on our homepage ([www.vossloh-schwabe.com](http://www.vossloh-schwabe.com)). We will be happy to send you these conditions upon request.

The values contained in this data sheet can change due to technical innovations. Any such changes will be made without separate notification.