

EVO 75 / EVO 90

NEW GENERATION



EVO 75 / EVO 90

As a perfect replacement for HID lamps, these light spots are ideal for integration in luminaires like tracks or downlights. The light engines are ideal for applications like retail, halls and public buildings.

The aluminium reflectors offer an homogeneous light distribution spot and it is possible to interchange the reflector easily.

EVO series

- Replacement for HID lamps 20–70 W
- Interchangeable aluminium reflector for homogeneous light distribution

Typical applications

- Integration in luminaires
- Retail lighting
- Downlights
- Light advertising
- Entertainment



EVO 75 / EVO 90

Built-in LEDSpot equipped with a reflector, heat sink and leads

Technical notes

Reflector: Ø 75/90 mm (EVO 75/EVO 90)

aluminium, bayonet fixing

Holder: PC, white

Heat sink material: aluminium

Lumen maintenance:

L90/B10; 50,000 hrs. at 85 °C at t_p point

Max. operating temperature at t_p point:

120 °C: type DMS126 at 500 mA

120 °C: type DMS120 at 700 mA

Temperature depends on installation situation and has to be checked by the luminaire manufacturer.

Colour accuracy initially: 2 SDCM

Use of external LED constant-current drivers

The ceramic PCB ensures optimum thermal management

Plastic clear cover to protect reflector

(opaque cover on request)

Fixation

heat sink: lateral fixation with M4 screws for EVO 75

or M5 screws for EVO 90 and nuts or rear side fixation

with self-tapping screws ST2.9

Leads: Cu tinned, stranded conductors AWG22,

FEP-insulation and PVC sleeve, length: 600 mm

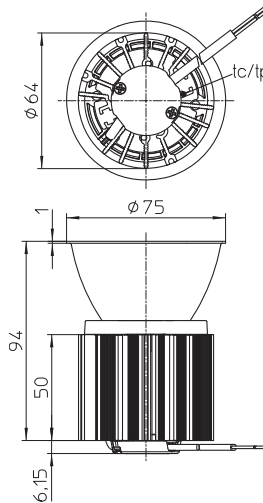
With integrated cord grip

Weight: 260/330 g (EVO 75/EVO 90)

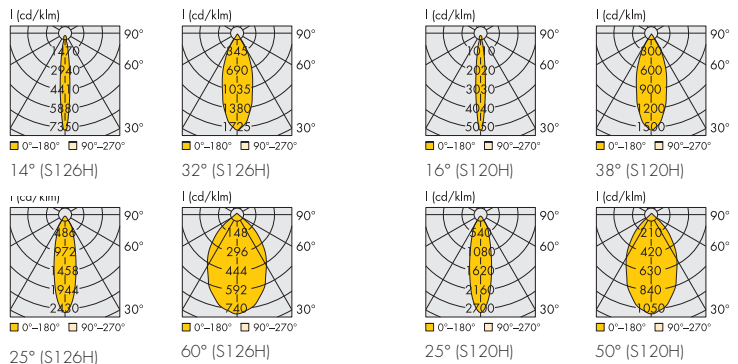
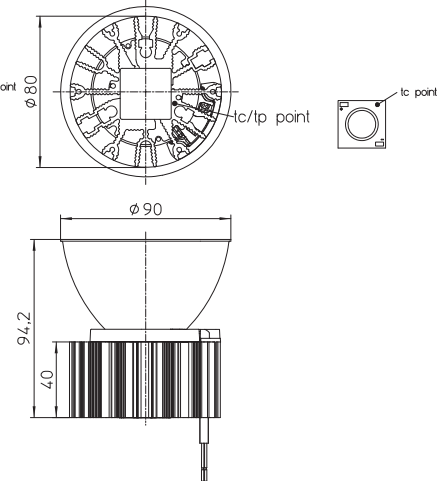
Packaging unit: 6 pcs.



EVO 75 – S126W



EVO 90 – S120W



The values contained in this data sheet can change due to technical innovations. Any such changes will be made without separate notification.

EVO 75

Type	Ref. No.	Colour	Correlated colour temperature K	Typ. luminous flux and efficiency, typ. voltage (Vf) and power consumption (P _{el})*				Light intensity at max. current Candela	Beam angle °	CRI R _a	Energy efficiency at max. current
				350 mA		500 mA					
				lm	lm/W	lm	lm/W				
				P _{el} = 11.7 W, Vf = 33.3 V		P _{el} = 17.1 W, Vf = 34.2 V					
EVO 75 S126W	567078	warm white	3000	1770	151	2430	142	17850	14	85	A++
EVO 75 S126W	567081	neutral white	4000	1825	156	2510	147	18500	14	85	A++
EVO 75 S126W	565769	warm white	3000	1770	151	2430	142	5900	25	85	A++
EVO 75 S126W	567082	neutral white	4000	1825	156	2510	147	6100	25	85	A++
EVO 75 S126W	567079	warm white	3000	1790	153	2455	144	4250	32	85	A++
EVO 75 S126W	567083	neutral white	4000	1845	158	2535	148	4350	32	85	A++
EVO 75 S126W	567080	warm white	3000	1750	150	2400	140	1750	60	85	A++
EVO 75 S126W	567084	neutral white	4000	1805	154	2480	145	1830	60	85	A++

Versions with other colour temperature, CRI 95 or pearl white on request

* Production tolerance of luminous flux, efficiency, voltage and power consumption: ±10%

EVO 90

Type	Ref. No.	Colour	Correlated colour temperature K	Typ. luminous flux and efficiency, typ. voltage (Vf) and power consumption (P _{el})*						Light intensity at max. current Candela	Beam angle °	CRI R _a	Energy efficiency at max. current
				500 mA		600 mA		700 mA					
				lm	lm/W	lm	lm/W	lm	lm/W				
				P _{el} = 16.5 W Vf = 32.9 V		P _{el} = 20 W Vf = 33.3 V		P _{el} = 23.6 W Vf = 33.7 V					
EVO 90 S120W		warm white	3000	2550	155	3015	151	3455	146	17450	16	85	A++
EVO 90 S120W		neutral white	4000	2640	160	3115	154	3570	151	17950	16	85	A++
EVO 90 S120W		warm white	3000	2550	155	3015	149	3455	146	9400	25	85	A++
EVO 90 S120W		neutral white	4000	2640	160	3115	154	3570	151	9750	25	85	A++
EVO 90 S120W		warm white	3000	2580	156	3050	151	3490	148	5250	38	85	A++
EVO 90 S120W		neutral white	4000	2670	162	3150	156	3610	153	5430	38	85	A++
EVO 90 S120W		warm white	3000	2520	153	2980	148	3415	145	3600	50	85	A++
EVO 90 S120W		neutral white	4000	2610	158	3080	152	3530	150	3700	50	85	A++

Versions with other colour temperature, CRI 95 or pearl white on request

* Production tolerance of luminous flux, efficiency, voltage and power consumption: ±10%

LES protection

Material: PC, transparent

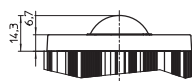
Fixation: click-in

Optical efficiency: 96%

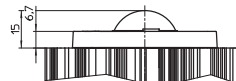
Ref. No.: 604044 For EVO 75 – S126W

Ref. No.: 604045 For EVO 90 – S120W

For EVO 75



For EVO 90



The values contained in this data sheet can change due to technical innovations. Any such changes will be made without separate notification.

Reflectors for EVO

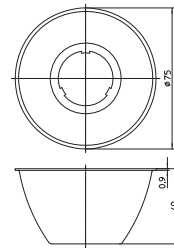
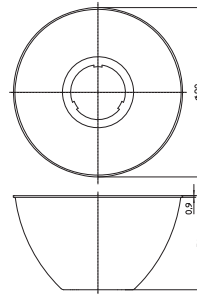
Exchangeable aluminum reflectors for the EVO series

Technical notes

Reflectors made of aluminium with bayonet fixation
 Surface: anodised
 Weight: 27/17 g (D90/D75)
 Packaging unit: 18 pcs.

Usage and maintenance

If necessary clean reflectors with mild soap, water and soft cloth.
 Never use any commercial cleaning solvents on reflectors, like alcohol.
 Please handle or install reflectors with wearing gloves, skin oils may damage reflector or its optical characteristic.



Ref. No.	Beam characteristic	Beam angle (°)	
		S126H	S120H
Reflector D90 – H = 50			
557359	narrow	14	16
557360	medium	24	25
557361	wide	35	38
563446	extra wide	50	50
Reflector D75 – H = 40			
557152	narrow	14	18
557153	medium	25	24
557154	wide	32	36
562157	extra wide	60	60

It's possible to use all the reflectors on the same holder.

LED Drivers

You will find more information about our LED drivers on our website: www.vossloh-schwabe.com

Capacity range W	Output current DC mA	Output voltage DC V	Ref. No.	Version	Current setting	Dimming	Max. service life time		Dimensions (LxWxH) mm	For type	
							hrs.	at t _c °C		DMS 126H	DMS 120H
350 mA											
11.2–18	350	32–52	186415	EasyLine	—	Phase cutting	50,000	80	153x41.4x32	x	x
6.3–19.95	350	18–57	186431	EasyLine	—	—	50,000	65	122x45x19	x	x
5.95–14	350	17–40	186463	EasyLine	Terminals	—	50,000	65	103.6x67.4x31	x	x
10.5–18.5	350	30–53	186503	PrimeLine	Programmable	DAI	100,000	65	123.4x79x4x32.6	x	x
10.5–15	350	30–43	186591	EasyLine	—	—	50,000	75	115x45x25	x	x
8.75–15	350	25–43	186650	ComfortLine	LEDset	—	100,000	70	97x43x30	x	x
8.75–15	350	25–43	186664	ComfortLine	LEDset	—	100,000	70	97x43x30	x	x
5.25–16.1	350	15–46	186719	EasyLine	—	—	50,000	70	97.1x42x6x30.3	x	x
5.25–16.1	350	15–46	186720	EasyLine	—	—	50,000	70	146.5x43x7x30	x	x
3.5–18.9	350	10–54	186762	PrimeLine	Dip switch	DAI	100,000	75	97.1x42x6x30.3	x	x
3.5–18.9	350	10–54	186763	PrimeLine	Dip switch	DAI	100,000	75	146.5x43x7x30	x	x

The values contained in this data sheet can change due to technical innovations. Any such changes will be made without separate notification.

LED Drivers

You will find more information about our LED drivers on our website: www.vossloh-schwabe.com

Capacity range W	Output current DC mA	Output voltage DC V	Ref. No.	Version	Current setting	Dimming	Max. service life time		Dimensions (LxVxH) mm	For type	
							hrs.	at t_c °C		DMS 126H	DMS 120H
500 mA											
12.5–25	500	25–50	186363	EasyLine	—	—	50,000	60	123.4x79x4x32.6	x	x
8.5–20	500	17–40	186463	EasyLine	Terminals	—	50,000	65	103.6x67.4x31	x	x
14–21	500	28–42	186505	EasyLine	—	Phase cutting	50,000	65	153x41.4x32	x	x
12.5–28.5	500	25–57	186531	EasyLine	Terminals	—	50,000	65	103.6x67.4x31	x	x
15–26.5	500	30–53	186571	PrimeLine	Programmable	DALI	100,000	65	123.4x79x4x32.6	x	x
15–21.5	500	30–43	186592	EasyLine	—	—	50,000	65	115x45x25	x	x
12.5–21.5	500	25–43	186650	ComfortLine	LEDset	—	100,000	70	97x43x30	x	x
12.5–21.5	500	25–43	186651	ComfortLine	Terminals	—	100,000	70	97x43x30	x	x
12.5–21.5	350	25–43	186664	ComfortLine	LEDset	—	100,000	70	97x43x30	x	x
8.75–15	500	25–43	186671	ComfortLine	Terminals	—	100,000	70	97x43x30	x	x
7.5–23	500	15–46	186721	EasyLine	—	—	50,000	75	97.1x42x6x30.3	x	x
7.5–23	500	15–46	186722	EasyLine	—	—	50,000	70	146.5x43x7x30	x	x
5–27	500	10–54	186762	PrimeLine	Dip switch	DALI	100,000	75	97.1x42x6x30.3	x	x
5–27	500	10–54	186763	PrimeLine	Dip switch	DALI	100,000	75	146.5x43x7x30	x	x
600 mA											
18–31.8	600	30–53	186503	PrimeLine	Programmable	DALI	100,000	65	123.4x79x4x32.6	—	x
15–34.2	600	25–57	186531	EasyLine	Terminals	—	50,000	65	103.6x67.4x31	—	x
15–25.8	600	25–43	186650	ComfortLine	LEDset	—	100,000	70	97x43x30	—	x
15–25.8	600	25–43	186652	ComfortLine	Terminals	—	100,000	70	97x43x30	—	x
15–25.8	600	25–43	186664	ComfortLine	LEDset	—	100,000	70	97x43x30	—	x
15–25.8	600	25–43	186671	ComfortLine	Terminals	—	100,000	70	97x43x30	—	x
6–32.4	600	10–54	186762	PrimeLine	Dip switch	DALI	100,000	75	97.1x42x6x30.3	—	x
6–32.4	600	10–54	186763	PrimeLine	Dip switch	DALI	100,000	75	146.5x43x7x30	—	x
700 mA											
21–37.1	700	30–53	186306	ComfortLine	—	—	100,000	65	123.4x79x4x32.6	—	x
21–37.1	700	30–53	186308	ComfortLine	—	DALI	100,000	65	123.4x79x4x32.6	—	x
14–35	700	20–50	186364	EasyLine	—	—	50,000	60	123.4x79x4x32.6	—	x
21–31.5	700	30–45	186501	EasyLine	—	—	50,000	65	171x41x32	—	x
17.5–39.9	700	25–57	186531	EasyLine	Terminals	—	50,000	65	103.6x67.4x31	—	x
21–37.1	700	30–53	186556	ComfortLine	—	—	100,000	65	159.4x79.4x33	—	x
21–37.1	700	30–53	186572	PrimeLine	Programmable	DALI	100,000	65	123.4x79x4x32.6	—	x
21–30.1	700	30–43	186593	EasyLine	—	—	50,000	80	103x67x30	—	x
17.5–30.1	700	25–43	186650	ComfortLine	LEDset	—	100,000	70	97x43x30	—	x
17.5–30.1	700	25–43	186652	ComfortLine	Terminals	—	100,000	70	97x43x30	—	x
17.5–30.1	700	25–43	186664	ComfortLine	LEDset	—	100,000	70	97x43x30	—	x
17.5–30.1	700	25–43	186670	ComfortLine	Terminals	—	100,000	70	97x43x30	—	x
10.5–31.5	700	15–45	186723	EasyLine	—	—	50,000	65	97.1x42x6x30.3	—	x
10.5–31.5	700	15–45	186724	EasyLine	—	—	50,000	65	146.5x43x7x30	—	x
7–37.8	700	10–54	186762	PrimeLine	Dip switch	DALI	100,000	75	97.1x42x6x30.3	—	x
7–37.8	700	10–54	186763	PrimeLine	Dip switch	DALI	100,000	75	146.5x43x7x30	—	x

Please ensure you choose the correct LED driver for the module in question and that the respective output parameters (current, voltage, wattage) are correct.

Accessories – iProgrammer

The iProgrammer is designed to configure LED drivers using the 3C function.

Dimensions: 123.4 x 79.4 x 32.6 mm

Ref. No.: 186428

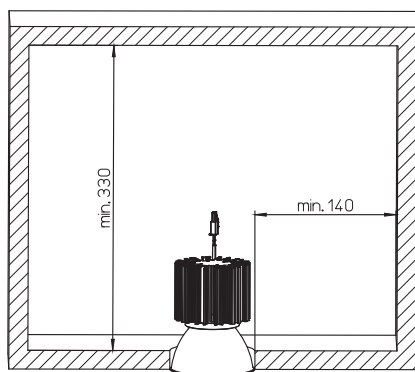
The values contained in this data sheet can change due to technical innovations. Any such changes will be made without separate notification.

EVO 75 / EVO 90 – Installation Instruction

General safety information

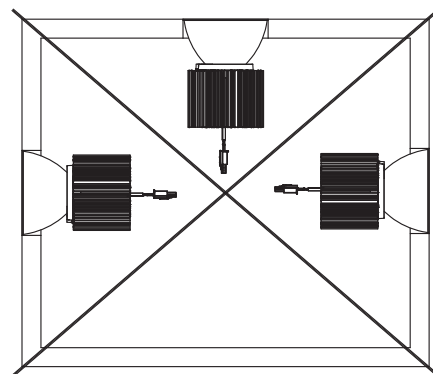
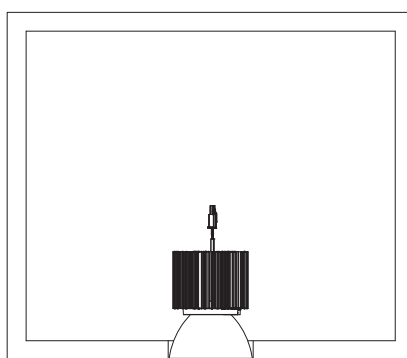
- VS product may only be installed and commissioned by authorised and fully qualified staff.
- These instructions must be carefully read before installing and commissioning the system, as this is the only way to ensure safe and correct handling.
- An external constant-current driver is required.
- Before any work is carried out on the equipment, it must be disconnected from the mains.
- All valid safety and accident-prevention regulations must be observed.
- The products should never be inexpertly opened. Repairs may only be undertaken by the manufacturer.

Built-in



Correct position

OK



Product Guarantee

- 5 years
- The conditions for the Product Guarantee of the Vossloh-Schwabe Group shall apply as published on our homepage (www.vossloh-schwabe.com). We will be happy to send you these conditions upon request.

The values contained in this data sheet can change due to technical innovations. Any such changes will be made without separate notification.