

CC COMPACT DIP SWITCH



COMFORTLINE DIP SWITCH S

187349

Typical Applications

Built-in in outdoor luminaires

- Street lighting
- Industry lighting

ComfortLine DIP switch S

- **SELECTABLE OUTPUT CURRENT VIA DIP SWITCH**
- **VERY LOW RIPPLE CURRENT: < 3%**
- **SURGE PROTECTION: UP TO 10 KV**
- **SELV**
- **LONG SERVICE LIFE:
UP TO 120,000 HRS.**
- **PRODUCT GUARANTEE: 5 YEARS**



ComfortLine DIP switch S

Product features

- Compact casing shape

Functions

- Selectable current output by DIP switch.
- The output current can be adjusted between 150 mA and 700 mA.

Electrical features

- Mains voltage: 220–240 V \pm 10%
- Mains frequency: 50–60 Hz
- Push-in terminals: 0.2–1.5 mm²
- Power factor at full load: > 0.95
- Open circuit voltage (U_{max.}): 60 V
- Secondary side switching of LED modules is not allowed.

Safety features

- Protection against transient main peaks up to 6 kV (between L and N) and up to 10 kV (between L/N–PE)
- Electronic short-circuit protection
- Overload protection
- Overtemperature protection
- Protection against "no load" operation
- Degree of protection: IP20
- Protection class II
- SELV

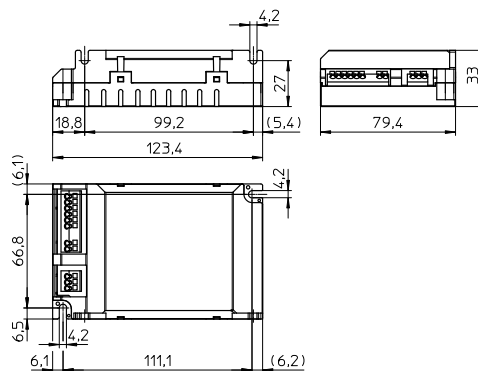
Packaging units

Ref. No.	Packaging unit		Weight g
	Pieces per box	Boxes per pallet	
187349	12	60	185



Dimensions

- Casing: K3
- Length: 123.4 mm
- Width: 79.4 mm
- Width: 33 mm



Applied standards

- EN 61347-1
- EN 61347-2-13
- EN 61547
- EN 61000-3-2
- EN 62384
- EN 55015



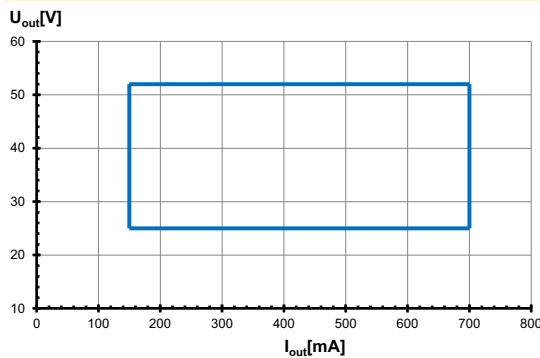
Product guarantee

- 5 years
- The conditions for the Product Guarantee of the Vossloh-Schwabe Group shall apply as published on our homepage (www.vossloh-schwabe.com). We will be happy to send you these conditions upon request.

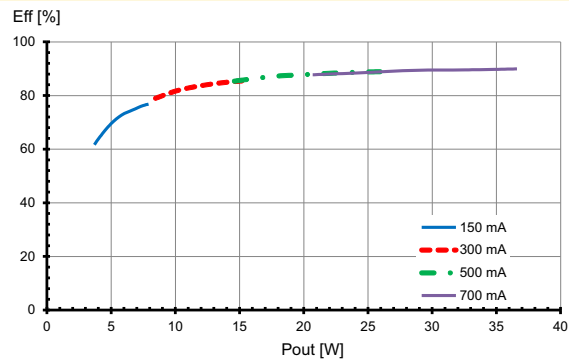
The values contained in this data sheet can change due to technical innovations. Any such changes will be made without separate notification.

Typ. performance graphs for 187349 / Type ECXe 700.438 R2

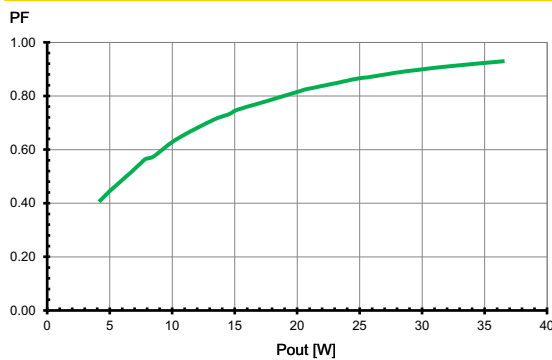
Working area



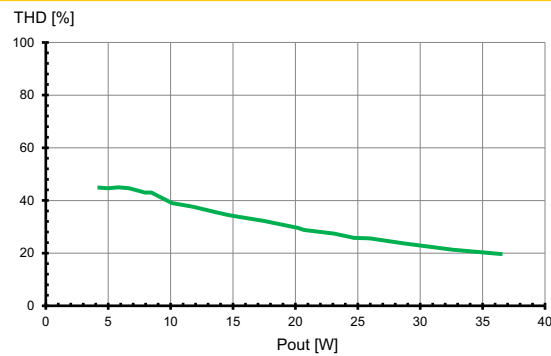
Efficiency



Power factor



Total harmonic factor (THD)



Safety functions

- Transient mains peaks protection:
 - Values are in compliance with EN 61547 (interference immunity).
 - Surges between L-N: up to 6 kV,
 - Surges between L/N-PE: up to 10 kV
- Short-circuit protection: The control gear is protected against permanent short-circuit with automatic restart function.
- Overload protection: The control gear only works in range of rated output power and voltage problemfree. Please check before switch-on mains power supply that the selected LED load is suitable (see Electrical Characteristics on data sheet).
- Overheating: The control gear has overheating protection. In case of overheating the control gear will shut down.
- No load operation: The control gear is protected against no load operation (open load).
- If any of the above mentioned safety functions will be triggered, disconnect the control gear from the power supply then find and eliminate the cause of the problem.

The values contained in this data sheet can change due to technical innovations. Any such changes will be made without separate notification.

Assembly and Safety Information

Installation must be carried out under observation of the relevant regulations and standards. Installation must be carried out in a voltage-free state (i.e. disconnection from the mains). The following advices must be observed; non-observance can result in the destruction of the LED drivers, fire and/or other hazards.

Mandatory regulations

- DIN VDE 0100
- EN 60598-1

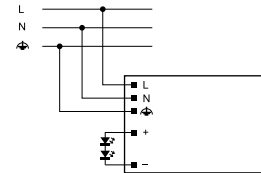
Mechanical mounting

- Mounting position: Built-in: Any position inside a luminaire is allowed.
- Mounting location: LED drivers are designed for integration into luminaires or comparable devices. Independent LED drivers do not need to be integrated into a casing. Installation in outdoor luminaires: degree of protection for luminaire with water protection rate ≥ 4 (e.g. IP54 required).
- Degree of protection: IP20
- Clearance: Min. 0.10 m from walls, ceilings and insulation
- Surface: Solid and plane surface for optimum heat dissipation required.
- Heat transfer: If the driver is destined for installation in a luminaire, sufficient heat transfer must be ensured between the driver and the luminaire casing. LED drivers should be mounted with the greatest possible clearance to heat sources. During operation, the temperature measure at the driver's t_c point must not exceed the specified maximum value.
- Fastening: Using M4 screws in the designated holes
- Tightening torque: 0.2 Nm

Electrical installation

- Connection terminals: Push-in terminals for rigid or flexible conductors with a section of 0.2–1.5 mm²
- Stripped length: 8.5–10 mm
- Wiring: The mains conductor within the luminaire must be kept short (to reduce the induction of interference). Mains and lamp conductors must be kept separate and if possible should not be laid in parallel to one another. Max. secondary side lead length: 0.8 m
- Polarity: Please ensure the correct polarity of the leads prior to commissioning. Reversed polarity can destroy the modules.
- Through-wiring: Is not allowed.

- Secondary load: The sum of forward voltages of LED loads is within the tolerances which are mentioned in the Electrical Characteristics on the data sheet.
- Parallel wiring: Parallel connection of LED loads is not allowed.
- Wiring diagram:



Selection of automatic cut-outs for VS LED drivers

- Dimensioning automatic cut-outs: High transient currents occur when an LED driver is switched on because the capacitors have to load. Ignition of LED modules occurs almost simultaneously. This also causes a simultaneous high demand for power. These high currents when the system is switched on put a strain on the automatic conductor cut-outs, which must be selected and dimensioned to suit.
- Release reaction: The release reaction of the automatic conductor cut-outs comply with VDE 0641, part 11, for B, C characteristics. The values shown in the following tables are for guidance purposes only and are subject to system-dependent change.
- No. of LED drivers: The maximum number of VS LED drivers applies to cases where the devices are switched on simultaneously. Specifications apply to single-pole fuses. The number of permissible drivers must be reduced by 20% for multi-pole fuses. The considered circuit impedance equals 400 m Ω (approx. 20 m [2.5 mm²] of conductor from the power supply to the distributor and a further 15 m to the luminaire).

Type	Ref. No.	Automatic cut-out type and possible no. of VS drivers pcs.		
		B 10 A	B 13 A	B 16 A
Automatic cut-out type B				
ECXe 700.438 R2	187349	16	21	25
Automatic cut-out type C				
ECXe 700.438 R2	187349	26	35	43

- To limit capacitive inrush currents the current carrying capacity of each circuit breaker (fuse) can be increased with the help of our ESB (Ref. No.: 149820, 149821, 149822) inrush current limiters.

The values contained in this data sheet can change due to technical innovations. Any such changes will be made without separate notification.