



VS System 24 V

LED Line Flex
AluLED Profiles
LEDSpots
24 V Converters
Blu2Light Constant-voltage Dimmer

Vossloh-Schwabe

Vossloh-Schwabe is not merely a provider of top-quality system solutions for the lighting industry, but above all makes a competent and innovative contribution to setting market trends.

Employing approximately 1000 people in more than 20 countries, Vossloh-Schwabe is represented all over the world. VS can draw on extensive resources for R&D as well as for international expansion activities.

A highly motivated workforce, comprehensive market knowledge, profound industry expertise as well as eco-awareness and environmental responsibility show Vossloh-Schwabe to be a reliable partner for the provision of optimum and cost-effective lighting solutions. Vossloh-Schwabe's dedication to delivering superior quality is reflected in its ISO 9001 certification.

■ CUSTOMISED SOLUTIONS

Your project, our solution

We collaborate with our customers and pay attention to their needs in order to develop customised lighting solutions. Whether the task involves the realisation of a single LED module or the creation of a turnkey system, our advanced R&D departments ensure the wishes of our customers come true.

R&D – Ideas take shape

Our R&D departments are constantly engaged in testing new materials and innovative technologies in order to offer cutting-edge solutions to create optimum lighting conditions. Using product ideas provided by our customers as a basis, our R&D teams design bespoke solutions that suit the given requirements, that can later be finessed into detailed features and ultimately guide the implementation process to create the customised product.

One stop, one shop – In-house creation of complete products

We offer complete solutions that are made entirely within the Vossloh-Schwabe Group using perfectly matched components with very high efficiency ratings.

In-house photometric testing

All necessary photometric tests can be carried out at VS. Cutting-edge equipment is used to measure all optical, chromatic and radiometric values as well as to carry out thermal simulations. These kinds of thermal and optical simulations can help to gear the development of a lighting solution to suit the respective customer specific applications at a very early stage in the planning process. The continuous monitoring process during every single project development step allows us to ensure top quality standards.



Know-how and global presence at your disposal

Using our experience and expertise, we carefully assist our customers – from first prototype production straight through to the final product. In addition, our consolidated production processes make for a highly flexible manufacturing service, enabling anything from just a few pieces right up to a mass production. Moreover, our widespread global presence reflects the importance we attach to staying close to both our customers and the market, which allows us to provide first-class customer and highly efficient logistics services.

www.vossloh-schwabe.com

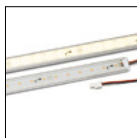
Contents



LED Line Flex

4-5

Flexible LED stripe in White and RGBW for IP20 and IP67 applications



AluLED

6-7

Linear LED module in aluminium profile in White, RGB, Blue and Tuneable White for IP20 and IP67 applications



Spots for furniture and shelves

8-9

Revo
Tiny
FlatLine
SoftLine
StartLine
SmartLine



24 V converters

10

On/Off and dimmable versions for IP20 and IP67 applications



Blu2Light DigiLED 4CH

11

4-channel Bluetooth® constant-voltage dimmer



LED Line Flex SMD

Flexible linear LED module

For illuminating complex contours and for architectural lighting

- Voltage supply: 24 V DC
- Connection: soldered leads
- Divisible into individual steps without loss of function
- Beam angle: 120°
- Mounting: double-sided adhesive tape on the reverse side

LED Line Flex SMD Advanced

- ESD protection: up to 2 kV
- Total length: 4 or 5 m on roll



LED Line Flex SMD Advanced



Ref. No.	Type	CCT / Dom. wave length	Typ. luminous flux (lm/m) and efficiency (lm/W)				Power at t _p		Typ. CRI R _a
			at t _p 25 °C		at t _p 50 °C		25 °C	50 °C	
571184	FlexLED-4m-22K-4000lm	2200 K	1060	94	915	91	11.3	10.1	> 80
571511	FlexLED-4m-25K-4000lm	2500 K	1007	86	913	83	11.3	10.1	> 90
571189	FlexLED-4m-25K-4000lm	2500 K	1100	98	958	94	11.3	10.1	> 80
571512	FlexLED-4m-27K-4800lm	2700 K	1201	103	1090	100	11.6	11	> 90
571185	FlexLED-4m-27K-4800lm	2700 K	1320	117	1140	113	11.3	10.1	> 80
571186	FlexLED-4m-30K-4800lm	3000 K	1340	120	1160	115	11.3	10.1	> 80
571240	FlexLED-4m-30K-4800lm	3000 K BBL	1340	120	1190	115	11.3	10.1	> 90
571219	FlexLED-4m-32K-4800lm	3200 K BBL	1340	120	1190	115	11.3	10.1	> 90
571190	FlexLED-4m-35K-4800lm	3500 K	1350	119	1174	115	11.3	10.1	> 80
571183	FlexLED-4m-40K-4800lm	4000 K	1400	125	1200	120	11.3	10.1	> 80
571187	FlexLED-4m-50K-4800lm	5000 K	1400	124	1180	118	11.3	10.1	> 80
571188	FlexLED-4m-65K-4800lm	6500 K	1430	127	1230	123	11.3	10.1	> 80
571223	FlexLED-5m-30K-900lm/m	3000 K	906	114	824	109	8.0	7.6	> 80
571571	FlexLED-5m-40K-800lm/m	4000 K	870	109	800	106	8.0	7.6	> 90
571225	FlexLED-5m-40K-900lm/m	4000 K	1025	129	954	126	8.0	7.6	> 80
571203	FlexLED-5m-30K-450lm/m	3000 K	464	106	420	102	4.4	4.1	> 80
571205	FlexLED-5m-40K-450lm/m	4000 K	544	124	496	120	4.4	4.1	> 80
571510	FlexLED-4m-Blue	465-475 nm	-	-	152	22	-	7.04	-
571515	FlexLED-4m-Red	620 nm	-	-	433	34.1	-	12.7	-

Colour accuracy: 3 MacAdam | Tolerance for power and luminous flux: ± 10%

Feed-in connector

Max. permissible current: 3 A
Lead length: 250 mm

Ref. No.: 141578



Flex-to-Flex connector

Max. permissible current: 3 A

Ref. No.: 141579



LED Line Flex SMD Indoor

Total length: 5 m on roll

Made in China

LED Line Flex SMD Indoor



Ref. No.	Type	CCT	Luminous flux		LED quantity pcs./m	Power W/m
			min. lm/m	typ. lm/m		
566965	WU-M-555-827	2700 K	740	820	42	6.5
563465	WU-M-555-830	3000 K	765	850	42	6.5
563466	WU-M-555-840	4000 K	800	890	42	6.5
563467	WU-M-555-857	5700 K	810	900	42	6.5
566966	WU-M-556-827	2700 K	1250	1380	70	10.8
563468	WU-M-556-830	3000 K	1290	1430	70	10.8
563469	WU-M-556-840	4000 K	1330	1480	70	10.8
563471	WU-M-556-857	5700 K	1350	1500	70	10.8

Colour accuracy: 3 MacAdam | Tolerance for power and luminous flux: ± 10%

Feed-in connector

Max. permissible current: < 4 A
Dimensions (LxWxH): 15x15.6x5 mm
Lead length: 150 mm

Ref. No.: 568121



Flex-to-Flex connector

Dimensions (LxWxH): 16x15x5 mm

Ref. No.: 568122



LED Line Flex SMD

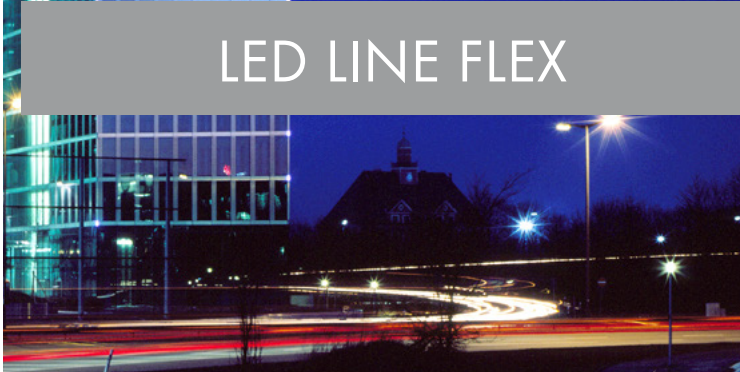
Flexible linear LED module

For illuminating complex contours and for architectural lighting

- Voltage supply: 24 V DC
- Connection: soldered leads
- Divisible into individual steps without loss of function
- Beam angle: 120°
- Mounting: double-sided adhesive tape on the reverse side

LED Line Flex SMD RGBW

- Total length: 5 m on roll
- Made in China



LED Line Flex SMD RGBW



Ref. No.	Type	Colour	Dom. wave length / CCT				Typ. luminous flux				Typ. power*			
			Red	Green	Blue	White	Red	Green	Blue	White	Red	Green	Blue	White
			nm	nm	nm	K	lm	lm	lm	lm	W	W	W	W
569825	WU-M-636-RGB+840	RGB(NW)	622	525	468	4000	695	1815	365	2420	23	23.5	18.7	23.3
569826	WU-M-636-RGB+857	RGB(CW)	622	525	468	5700	695	1815	365	2420	23	23.5	18.7	23.3

Colour accuracy: 4 MacAdam (White) | Tolerance for power and luminous flux: ± 10% | * For total length



Feed-in connector

- Max. permissible current: 3.5 A
- Lead length: 150 mm
- Ref. No.: 570456



Flex-to-Flex bridge

- Max. permissible current: 3.5 A
- Lead length: 150 mm
- Ref. No.: 570457



Flex-to-Flex connector

- Max. permissible current: 3.5 A
- Ref. No.: 570458



LED Line Flex SMD IP67

- Total length: 5 m on roll
- Made in China



LED Line Flex SMD IP67



Ref. No.	Type	CCT	Luminous flux		LED quantity	Power
			min.	typ.		
			lm/m	lm/m		
567891	WU-M-616-830	3000 K	770	900	60	10
567892	WU-M-616-840	4000 K	850	1000	60	10
567893	WU-M-616-857	5000 K	850	1000	60	10

Colour accuracy: 3 MacAdam | Tolerance for power and luminous flux: ± 10%



End caps and sealing glue

End caps for sealing the cut (in case the LEDLine Flex module has been shortened)

Dimensions (LxWxH): 14x10x6 mm

- Ref. No.: 568127 with holes for lead entry
- Ref. No.: 568128 without holes
- Ref. No.: 568129 RTV one component glue (50 g tube)



Recommended connector

- 3M Scotchlok Outdoor connector UR2
- Humidity resistant connector filled with sealant
- Strand diameter: 0.4-0.9 mm

Ref. No.: 534992



AluLED – Linear LED Profiles

Linear LED module in aluminium profile

Optimal for applications in protected indoor or outdoor areas
 Voltage supply: 24 V DC
 Connection: cables with pre-assembled connectors
 Maximum bridging current load: max. 3 A
 Cover: diffuse (IP20) / clear (IP67)
 Beam angle: 120°
 Dimensions (LxWxH): 320/920/1220x20x6 mm
 Mounting: incl. mounting clips (brackets) and screws



AluLED – White

Lumen maintenance: L70/B20, > 50,000 hrs. at $t_p/t_c = 50\text{ }^\circ\text{C}$

Ref. No.	IP66/67	CCT	Length	Power		Current		Luminous flux	
				25 °C	50 °C	25 °C	50 °C	IP20	IP67
571145	561698	3000 K	320 mm	3.4 W	6.3 W	140 mA	262 mA	230 lm	240 lm
on request	571160		520 mm	5.7 W	10.1 W	235 mA	420 mA	380 lm	400 lm
571146	561699	4000 K	920 mm	10.1 W	18.9 W	420 mA	786 mA	690 lm	720 lm
571147	561700		1220 mm	13.5 W	25.2 W	560 mA	1048 mA	920 lm	960 lm
571133	571136	4000 K	320 mm	3.4 W	6.3 W	140 mA	262 mA	250 lm	300 lm
on request	571161		520 mm	5.7 W	10.1 W	235 mA	420 mA	400 lm	500 lm
571134	571137	6000 K	920 mm	10.1 W	18.9 W	420 mA	786 mA	750 lm	900 lm
571135	571138		1220 mm	13.5 W	25.2 W	560 mA	1048 mA	1000 lm	1200 lm
571152	571115	6000 K	320 mm	3.4 W	6.3 W	140 mA	262 mA	260 lm	280 lm
on request	571162		520 mm	5.7 W	10.1 W	235 mA	420 mA	427 lm	467 lm
571153	571116	6000 K	920 mm	10.1 W	18.9 W	420 mA	786 mA	780 lm	840 lm
571154	571117		1220 mm	13.5 W	25.2 W	560 mA	1048 mA	1040 lm	1120 lm

* Production tolerance for luminous flux and power: $\pm 10\%$

EasyConnect cable

Max. permissible current: 3 A

2 strands

Ref. No.: 543426 Feed-in, length: 25 cm

Ref. No.: 543427 AluLED-to-AluLED, length: 50 cm

4 strands

Ref. No.: 543428 Feed-in, length: 25 cm

Ref. No.: 543429 AluLED-to-AluLED, length: 50 cm

Shrink caps

Ref. No.: 571150 clear

Ref. No.: 571151 black

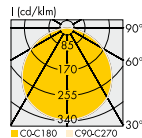
Magnetic holder for AluLED

Spring and magnet

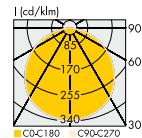
Ref. No.: 143208 scope of supply: 2 pcs.



IP20



IP66/
IP67



AluLED-II-HLO – White

ESD protection: up to 2 kV

Lumen maintenance: L90/B10: > 50,000 hrs. at $t_p/t_c = 65\text{ }^\circ\text{C}$

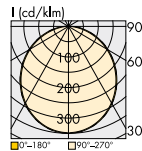
L70/B10: > 50,000 hrs. at $t_p/t_c = 80\text{ }^\circ\text{C}$

Ref. No.	IP66/67	CCT	Length	Power at		Current at		Luminous flux	
				25 °C	50 °C	25 °C	50 °C	IP20	IP67
571291	571356	3000 K	320 mm	7 W	13.5 W	292 mA	560 mA	580 lm	603 lm
571292	571357		920 mm	21 W	38.1 W	876 mA	1668 mA	1740 lm	1809 lm
571293	571358	4000 K	1220 mm	28 W	50.4 W	1168 mA	2216 mA	2320 lm	2412 lm
571300	571350		320 mm	7 W	13.5 W	292 mA	560 mA	720 lm	678 lm
571301	571352	4000 K	920 mm	21 W	38.1 W	876 mA	1668 mA	2160 lm	2034 lm
571302	571353		1220 mm	28 W	50.4 W	1168 mA	2216 mA	2880 lm	2712 lm

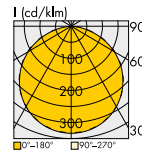
* Production tolerance for luminous flux and power: $\pm 10\%$



IP20



IP66/
IP67



AluLED – Linear LED Profiles

Linear LED module in aluminium profile

Optimal for applications in protected indoor or outdoor areas
 Voltage supply: 24 V DC
 Connection: cables with pre-assembled connectors
 Maximum bridging current load: max. 3 A
 Beam angle: 120°
 Dimensions (LxWxH): 320/920/1220x20x6 mm
 Mounting: incl. mounting clips (brackets) and screws



ALU LED



AluLED – Tuneable White

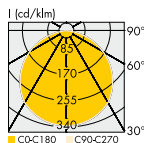
Colour dynamic from 3000 K to 6000 K
 Cover: clear
 Lumen maintenance: L90/B10: > 50,000 hrs. at $t_p/t_c = 65^\circ\text{C}$
 L70/B10: > 50,000 hrs. at $t_p/t_c = 80^\circ\text{C}$

Ref. No. IP20	IP66/67	Length	Power at		Current at		Colour temperature [K] / luminous flux [lm]								
			25 °C	50 °C	25 °C	50 °C	both channels 100%		only warm white 100%		only cool white 100%				
			IP20	IP67	IP20	IP67	IP20	IP67	IP20	IP67					
571282	571170	320 mm	3.4 W	3.1 W	143 mA	131 mA	4000 K	548 lm	616 lm	3000 K	254 lm	285 lm	6000 K	300 lm	338 lm
571283	571171	920 mm	10.2 W	9.3 W	429 mA	393 mA	4000 K	1645 lm	1848 lm	3000 K	761 lm	855 lm	6000 K	903 lm	1014 lm
571284	571172	1220 mm	13.6 W	12.4 W	572 mA	524 mA	4000 K	2192 lm	2464 lm	3000 K	1015 lm	1140 lm	6000 K	1203 lm	1352 lm

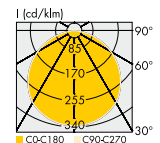
* Production tolerance for luminous flux and power: $\pm 10\%$



IP20



IP66/
IP67



AluLED – RGB

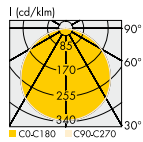
Cover: diffuse (IP20) / clear (IP67)

Ref. No. IP20	IP66/67	Length	Power	Current	Dom. wave length			Luminous flux					
					Red	Green	Blue	Red		Green		Blue	
					IP20	IP67	IP20	IP67	IP20	IP67	IP20	IP67	
571139	571130	320 mm	3.4 W	140 mA	620–630 nm	520–535 nm	465–475 nm	18 lm	25 lm	53 lm	75 lm	11 lm	15 lm
571140	571131	920 mm	10.1 W	420 mA	620–630 nm	520–535 nm	465–475 nm	53 lm	75 lm	158 lm	225 lm	32 lm	45 lm
571141	571132	1220 mm	13.5 W	560 mA	620–630 nm	520–535 nm	465–475 nm	70 lm	100 lm	210 lm	300 lm	42 lm	60 lm

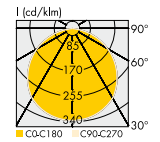
* Production tolerance for luminous flux and power: $\pm 10\%$



IP20



IP66/
IP67



AluLED – Blue

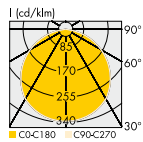
Cover: diffuse (IP20) / clear (IP67)

Ref. No. IP20	IP67	Length	Power		Current	Dom. wave length	Luminous flux	
			IP20	IP67			IP20	IP67
571157	571120	1220 mm	8.4 W	13.5 W	560 mA	465–475 nm	42 lm	240 lm

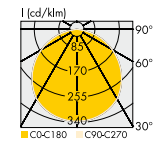
* Production tolerance for luminous flux and power: $\pm 10\%$



IP20



IP66/
IP67



FlatLine and SoftLine 24 V DC

Complete LEDSpot equipped with metal frame and connection leads

FlatLine: metal frame, silver, and connection plug
 SoftLine: metal frame, silver, silver brushed or white, and thermoplastic heat sink

For cut-out: Ø 56 mm
 Fastening: snap-in clips for easy mounting
 Degree of protection: IP20 (front part FlatLine: IP44 / SoftLine: IP40)
 Voltage supply: 24 V DC



FlatLine 24 V DC

Snap-in clips made of plastics for mounting on metal sheets (metal springs for mounting into wooden shelves on request)
 Service life time: 50,000 hrs. (L70/B50) at t_c/t_p 70 °C

Ref. No.	Type	Frame colour	CCT	Beam angle	Typ. lumen*	Max. power	Energy efficiency
564252	LCH043	silver	2870...3200 K	60°	140 lm	1.6 W	A++
564253	LCH043	silver	3850...4250 K	60°	140 lm	1.6 W	A++

Emission data at $t_j = 80$ °C | * Measurement tolerance of luminous flux: ± 5%



Connection lead for FlatLine

Leads: Cu tinned, stranded conductors AWG22, PVC-insulation, lengths: 250 mm

Ref. No.: 561868



SoftLine 24 V DC

Metal springs for mounting into wooden shelves
 Service life time: 50,000 hrs. (L70/B50) at t_c/t_p 75 °C

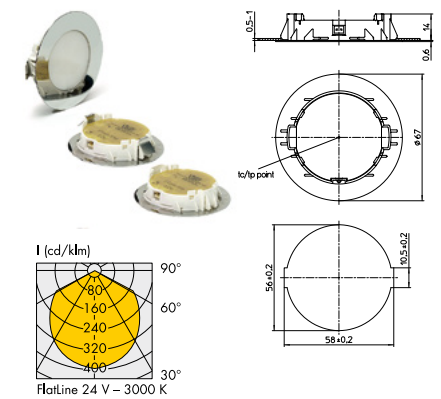
Ref. No.	Type	Frame colour	CCT	Beam angle	Typ. lumen*	Max. power	Energy efficiency
563861	LCH032	silver	2580...2870 K	90°	205 lm	2.8 W	A++
563863	LCH032	silver	2870...3220 K	90°	225 lm	2.8 W	A++
563865	LCH032	silver	3710...4260 K	90°	225 lm	2.8 W	A++
563862	LCH032	white	2580...2870 K	90°	205 lm	2.8 W	A++
563864	LCH032	white	2870...3220 K	90°	225 lm	2.8 W	A++
563866	LCH032	white	3710...4260 K	90°	225 lm	2.8 W	A++
563336	LCH032	silver brushed	2580...2870 K	90°	205 lm	2.8 W	A++
562742	LCH032	silver brushed	2870...3220 K	90°	225 lm	2.8 W	A++
562885	LCH032	silver brushed	3710...4260 K	90°	225 lm	2.8 W	A++

Emission data at $t_j = 80$ °C | * Measurement tolerance of luminous flux: ± 5%

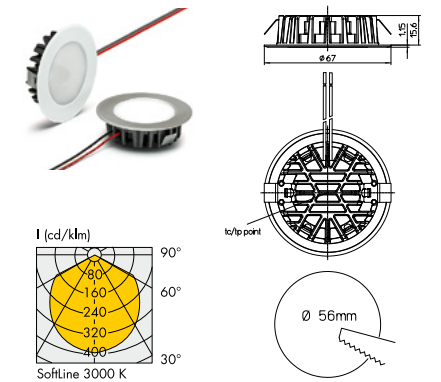


LED SPOTS

FlatLine



SoftLine



Revo 24 V DC

Complete LEDSpot equipped with optics, frame and connection leads

- LCH-037: plastics frame, white
- LCH-038: metal frame, silver
- For cut-out: 67.5x25x5 mm
- Fastening: snap-in clips for easy mounting
- Degree of protection: IP20 (front part LCH-037: IP44)
- Voltage supply: 24 V DC



Revo 24 V DC

Snap-in clips made of plastics for mounting on metal sheets
 Service life time: 50,000 hrs. (L70/B50) at t_c/t_p 75 °C

Ref. No.	Type	Frame colour	CCT	Beam angle	Typ. lumen*	Max. power	Energy efficiency
566617	LCH-037	white	2870...3220 K	60°	130 lm	1.3 W	A++
566619	LCH-038	silver	2870...3220 K	60°	130 lm	1.3 W	A++
auf Anfr.	LCH-038	silver	3710...4260 K	60°	140 lm	1.3 W	A++

* Production tolerance for luminous flux and power: ±10%

Connection lead for Revo

Leads: Cu tinned, stranded conductors AWG22, PVC-insulation, lengths: 250 mm

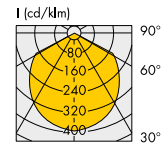
Ref. No.: 561868



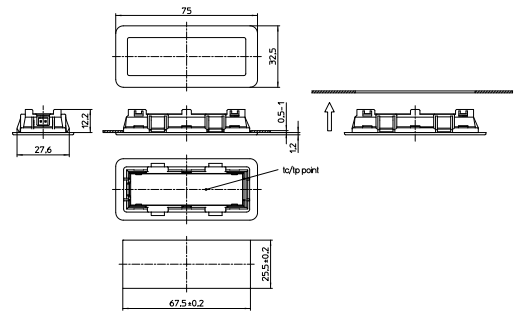
LED SPOTS



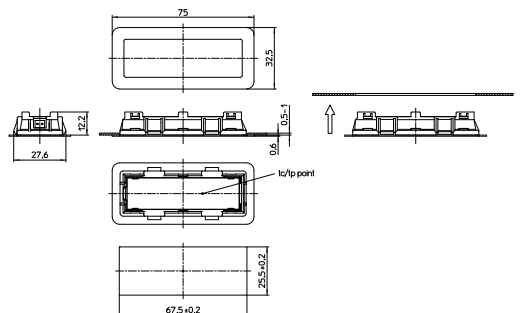
Revo



LCH-037



LCH-038



LED Operating Devices

Please ensure you choose the correct LED operating devices for the chosen LED luminaire and that the respective output parameters (current, voltage, wattage) are correct.

You will find more information about our LED operating devices on our website: www.vossloh-schwabe.com

Constant-voltage converters 24 V

Mains voltage: 220-240 V ±10%
Mains frequency: 50-60 Hz
Voltage supply: 24 V ±10%

24 V **SELV** **Guarantee 5 years**

12 V

48 V



Max. power	Ref. No.	Output current DC	Version	IP	Casing	Dimensions LxWxH
20 W	186640	0-850 mA	ON/OFF	IP20	K39.2	184x37x33 mm
20 W	186129	0-850 mA	ON/OFF	IP20	K62	182x42x18 mm
20 W	187036	0-833 mA	ON/OFF	IP20	K53	153x41x32 mm
30 W	186624	0-1250 mA	ON/OFF	IP20	K53	153x41x32 mm
30 W	186633	0-1250 mA	ON/OFF	IP67	K52.1	131x42x34 mm
40 W	187037	0-1670 mA	ON/OFF	IP20	K81	210x40x30 mm
60 W	186625	0-2500 mA	ON/OFF	IP20	K55.1	180x52x30 mm
60 W	187038	0-2500 mA	ON/OFF	IP20	K82	250x40x30 mm
70 W	187058	0-2900 mA	DAI12, 1-10 V	IP20	M10*	359x30x21 mm
75 W	186626	0-3125 mA	ON/OFF	IP20	K55.1	180x52x30 mm
75 W	186432	0-3125 mA	ON/OFF	IP67	K30.2	155x49x32 mm
100 W	187039	0-4000 mA	ON/OFF	IP20	K83	310x40x36 mm
100 W	186433	0-4200 mA	ON/OFF	IP67	M58.1	206x68.6x37 mm
120 W	186627	0-5000 mA	ON/OFF	IP20	K60	300x40x30 mm
150 W	186434	0-6250 mA	ON/OFF	IP67	M58.1	206x68.6x37 mm
180 W	186717	0-7500 mA	ON/OFF	IP20	K61	345x50x35 mm
200 W	186634	0-8300 mA	ON/OFF	IP67	M58.1	206x68.6x37 mm
250 W	187040	0-10400 mA	ON/OFF	IP67	M86	258x86.2x47.2 mm
320 W	187041	0-13300 mA	ON/OFF	IP67	M86	258x86.2x47.2 mm

* With cord grip 187073 suitable for independent operation.

K30.2 EasyLine



IP67 **30 000 hours**

K52.1 EasyLine



IP67 **30 000 hours**

M58.1 EasyLine



IP67 **30 000 hours**
186634

M86 EasyLine



IP67 **30 000 hours**
187040,
187041

24 V CONVERTERS

M10 Primeline



IP20 **50 000 hours**

K39.2 ComfortLine



IP20 **50 000 hours** **MADE IN GERMANY**

K62 ComfortLine



IP20 **50 000 hours** **MADE IN GERMANY**

K53 EasyLine



IP20 **30 000 hours**

K55.1 EasyLine



IP20 **30 000 hours**

K81 EasyLine



IP20 **30 000 hours**

K82 EasyLine



IP20 **30 000 hours**

K83 EasyLine



IP20 **30 000 hours**

K60 EasyLine



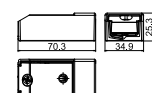
IP20 **30 000 hours**

K61 EasyLine



IP20 **30 000 hours**

Cord grip for M10
Ref. No.: 187073



Blu2Light DigiLED 4CH

Innovative 4-channel Bluetooth® constant-voltage dimmer for LED modules from 12–48 V DC

For luminaire installation and independent mounting with cord grip

Output channels: 4 channels, individually controllable

Configuration: via IINA Connect App

Control: via IINA Touch App

Comfortable adjustment of RGBW light colours.

Casing: plastics, white

Weight: 41 g

Connection: push-in terminals: 0.5–1.5 mm² (primary, secondary +),
0.2–0.5 mm² (secondary -)

Fastening: M3 screws



DIGILED B2L 4CH

Ref. No.	Communication	Frequency range	HF output power	Power consumption in		Input voltage range*	Dimensions LxWxH
				standby	operation		
186839	Blu2light mesh network	2402–2480 MHz	< 10 mW EIRP	0.3 W	max. 115 W	11–50 V DC	158x22x19 mm

* depending on LED module



Operating channels	Max. load per channel at		
	12 V	24 V	48 V
4 channels	1.2 A	1.2 A	0.6 A
1 channel	4.8 A	4.8 A	2.4 A

Min. dimming level (PWM): 1250 Hz (flicker-free)



Whenever an electric light goes on around the world, Vossloh-Schwabe is likely to have made a key contribution to ensuring that everything works at the flick of a switch.

Headquartered in Germany, Vossloh-Schwabe counts as a technology leader within the lighting sector. Top-quality, high-performance products form the basis of the company's success.

Vossloh-Schwabe's extensive product portfolio covers all lighting components: LED systems with matching control gear units, highly efficient optical systems, state-of-the-art control systems (Blu2Light and LiCS) as well as electronic and magnetic ballasts and lampholders.

The company's future is Smart Lighting.



Vossloh-Schwabe Deutschland GmbH

Wasenstrasse 25 · 73660 Urbach · Germany
Phone +49 / 71 81 / 80 02-0

www.vossloh-schwabe.com

VS LIGHTING SOLUTIONS

All rights reserved © Vossloh-Schwabe
Photos: VS; istockphoto.com; shutterstock.com
Technical changes are subject to change without notice
24 V System EN - 01/2021